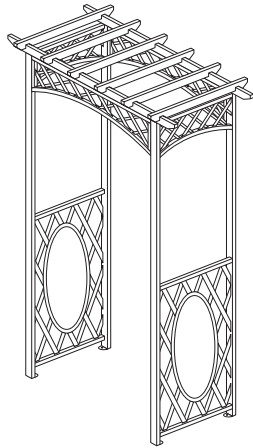


Wrenbury arch

English SS165A

Help Line (Normal Office Hours) 01829 261 121

Assembly Instructions



Before assembly

- We recommend that time is taken to read the instructions before starting assembly, then follow the easy step by step guide. The instruction sheet is only a guide to the assembly. Certain items may not be shown to scale.
- Pre-drill all components where indicated.
- This product should be assembled by no less than two people.
- Never attempt to erect the assembly in high winds.

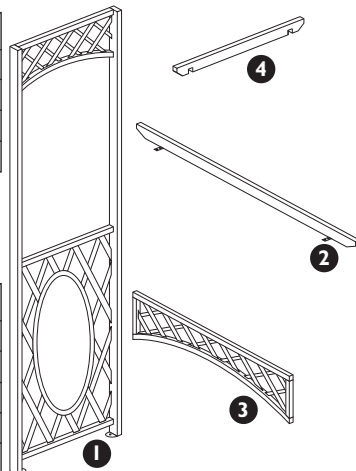


Recommended tools for assembly

- Allen key supplied with kit

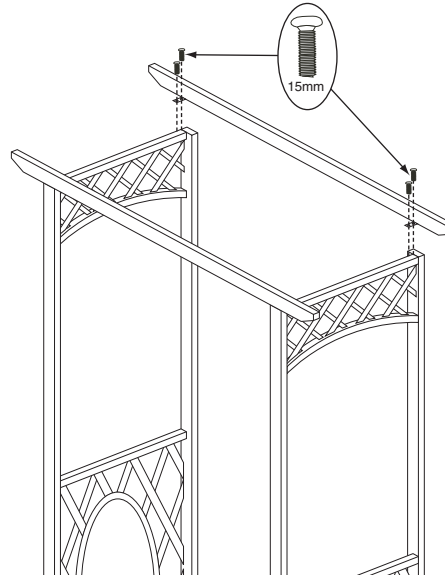
No.	Components	Qty.
1	Uptights	2
2	Crossbeams	2
3	Lattice arches	2
4	Rafters	6

No.	Fixing Kit	Qty.
5	15mm bolts	8
6	35mm bolts	20
7	Plastic caps	28
8	Allen key	1
9	Fixing pegs	4



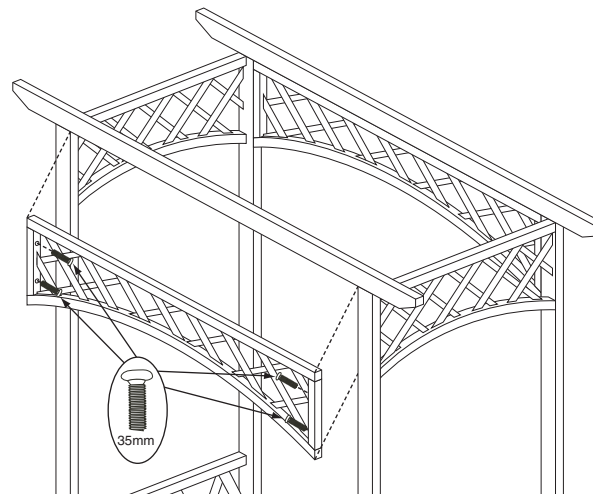
1. Crossbeams to uprights

Using 4 x 15mm bolts per crossbeam, secure the beams as shown to the tops of the uprights.



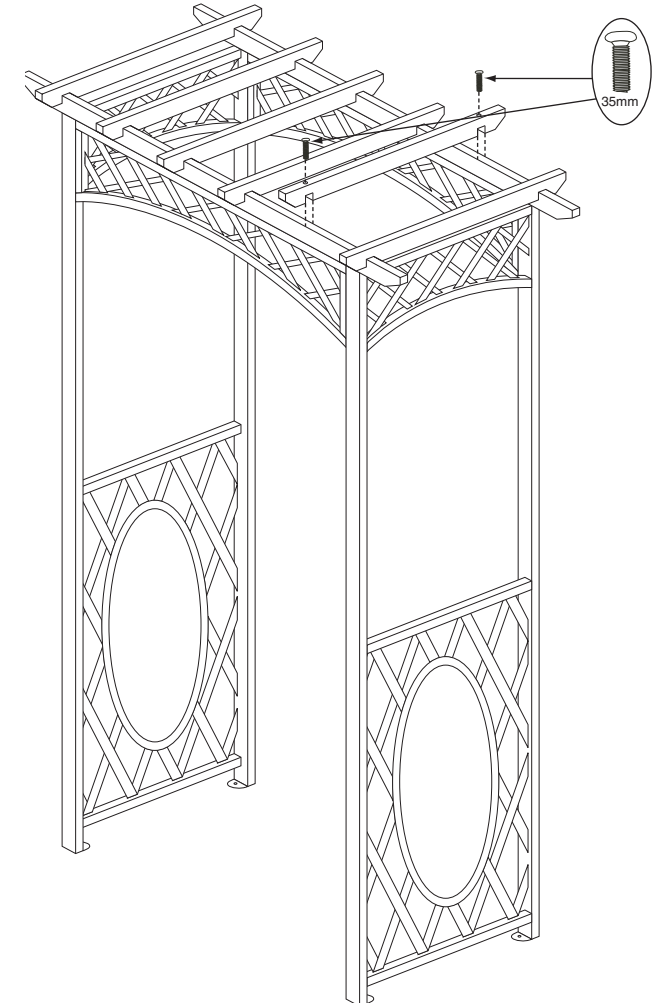
2. Lattice arches

Position the lattice arches between the uprights as shown and secure each arch using 4 x 35mm bolts, push the bolts through the holes at the ends of the lattice and screw into the upright legs.



3. Rafters

Interlock each of the rafters on the crossbeams and secure in place using 2x35mm bolts per rafter. Push the bolts through the top of the rafters and screw into the top of the cross beams.



We constantly improve the quality of our products, occasionally the components may differ from the components shown and are only correct at time of printing. We reserve the right to change the specification of our products without prior notice.

2006 © Rowlinson Garden Products