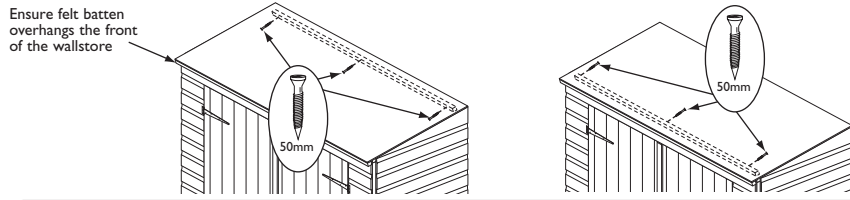


7. Roof

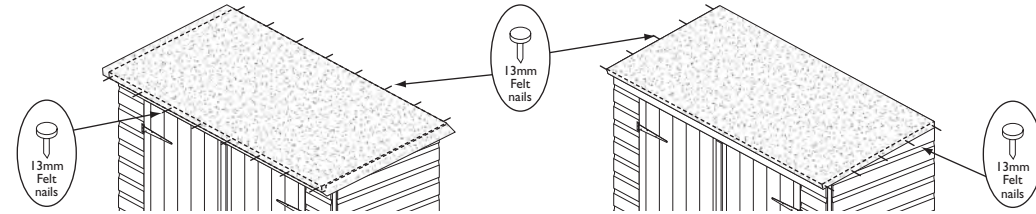
Place the roof onto the wallstore making sure the felt batten is overhanging the front of the building. From inside the wallstore secure the roof at the back using 3 x 50mm screws, screw through the roof framing into the framing of the back panel. Secure the roof at the front using 3 x 50mm screws, screw through roof framing into the top rail.

Ensure felt batten overhangs the front of the wallstore



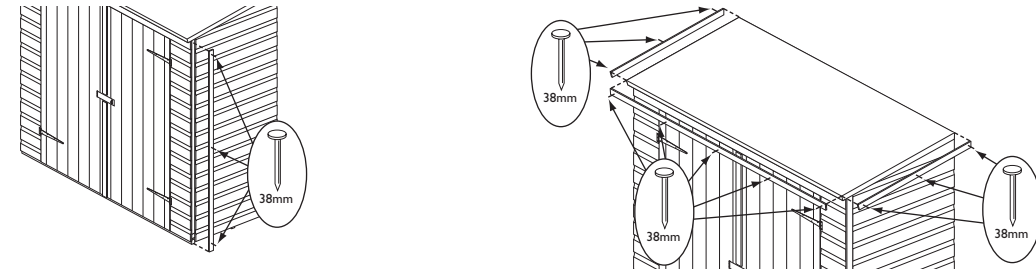
8. Roofing felt

Lay the roofing felt on the roof with an overhang all round. Fold the felt down at the front and secure using 10 x 13mm felt nails to the felt batten. Tension the felt over the roof and fold down at the back and secure to the back panel using 10 x 13mm felt nails. Dress down each end of the felt and secure to the side panels using 5 x 13mm felt nails per end. Once the felt is secure trim of the excess.



9. Coverstrips and bargeboards

Fit a coverstrip in each of the front corners, secure in place using 3 x 38mm nails per strip. Attach the long bargeboard to the front of the roof, ensure sure it is flush to the Lower edge of the roof line use 5 x 38mm nails as shown. Attach a short bargeboard to each side using 3 x 38mm nails.



Important information

Shiplap buildings come ready stained but this is only a preparatory treatment. To **VALIDATE** the guarantee, the building must be properly treated with a recognised external wood preserver **WITHIN 3 MONTHS** of assembly and **RE-TREATED ANNUALLY** thereafter. The building must also be erected on 75mm x 50mm treated wooden or similar bearers (These are not supplied with the kit.) ground contact must be avoided.

Timber Information.

As timber is a natural material, there are certain weather conditions that may affect the materials properties. In times of excessive dry spells the material may lose some of its internal moisture causing a certain degree of shrinkage on a panel and in periods of excessive rain there will be a certain amount of swelling throughout the wooden panels. This process can not be avoided. If you have problems with certain boards shrinking in dry spells try to decrease the amount of direct sunlight on the building or the amount of air passing over the building. During hot spells spray water directly onto the panels with the aid of a garden hose.

If in doubt of any aspect regarding the assembly, use or safety of your building please contact us :

Help Line (Normal Office Hours) 01829 261 121

ROWLINSON GARDEN PRODUCTS LIMITED
Unit 2 Green Lane
Wardle Nr. Nantwich
Cheshire
CW5 6BN
Tel : 01829 262 080
Fax : 01829 262 089

We constantly improve the quality of our products, occasionally the components may differ from the components shown and are only correct at time of printing. We reserve the right to change the specification of our products without prior notice.

2006 © Rowlinson Garden Products Ltd

ROWLINSON™
GARDEN PRODUCTS

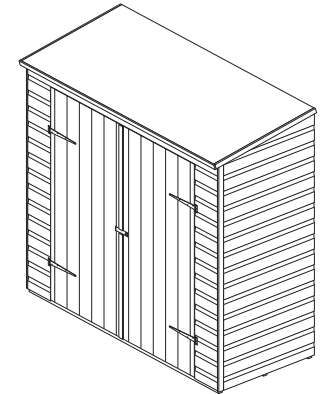
Shiplap Wallstore

English SS032K

Assembly Instructions

Before assembly

- We recommend that time is taken to read the instructions before starting assembly, then follow the easy step by step guide. The instruction sheet is only a guide to the assembly. Certain items may not be shown to scale.
- Check all components prior to assembly
- This product should be assembled by no less than 2 people
- Drill all components where indicated

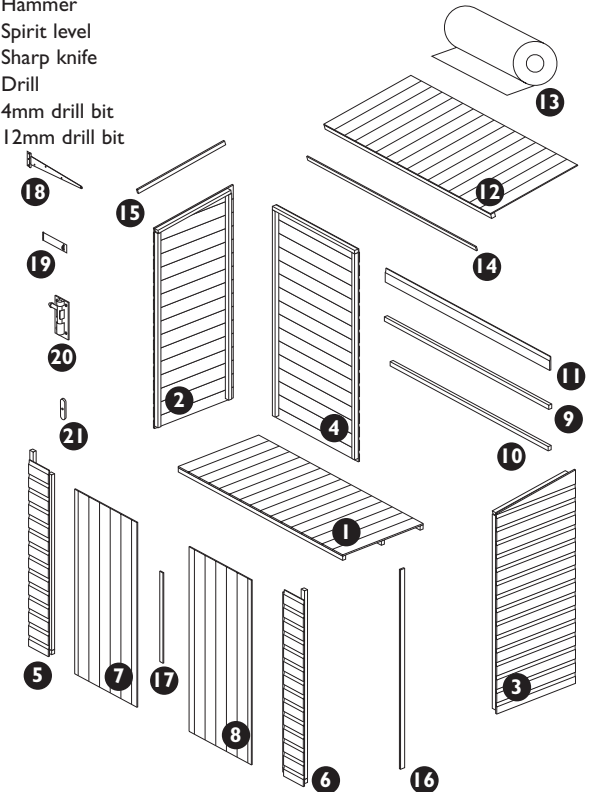


No.	Components	Qty.
1	Floor	1
2	Left side panel	1
3	Right side panel	1
4	Back panel	2
5	Front left panel	1
6	Front right panel	1
7	Left door	1
8	Right door	1
9	Top rail (36 x 29 x 1758mm)	1
10	Door header rail (36 x 29 x 1690mm)	1
11	Front panel top board	1
12	Roof	1
13	Felt roll (2m)	1
14	Front bargeboard (12 x 35 x 1820mm)	1
15	Side bargeboard (12 x 35 x 860mm)	2
16	Front corner coverstrip	2
17	Door weatherstrip (12 x 48 x 765mm)	2

No.	Fixing kit	Qty.
18	T-hinges	4
19	Hasp and staple	1
20	Tower bolts	2
21	Turn button	1
22	63mm screws	8
23	50mm screws	21
24	25mm screws	29
25	22mm screws	6
26	19mm roundhead screws	17
27	38mm nails	29
28	25mm nails	14
29	13mm felt nails	30

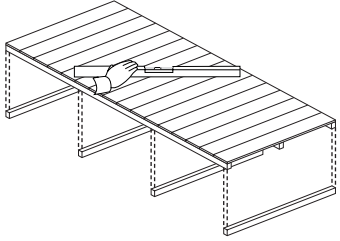
Recommended tools for assembly

- Cross head screw driver
- Hammer
- Spirit level
- Sharp knife
- Drill
- 4mm drill bit
- 12mm drill bit



1. Floor section

Prepare a level area for the wallstore to sit. Attach 4 wooden or similar bearers of size 50 x 50 x 784mm to the floor. (Bearer and bearer fixings are NOT supplied in kit).



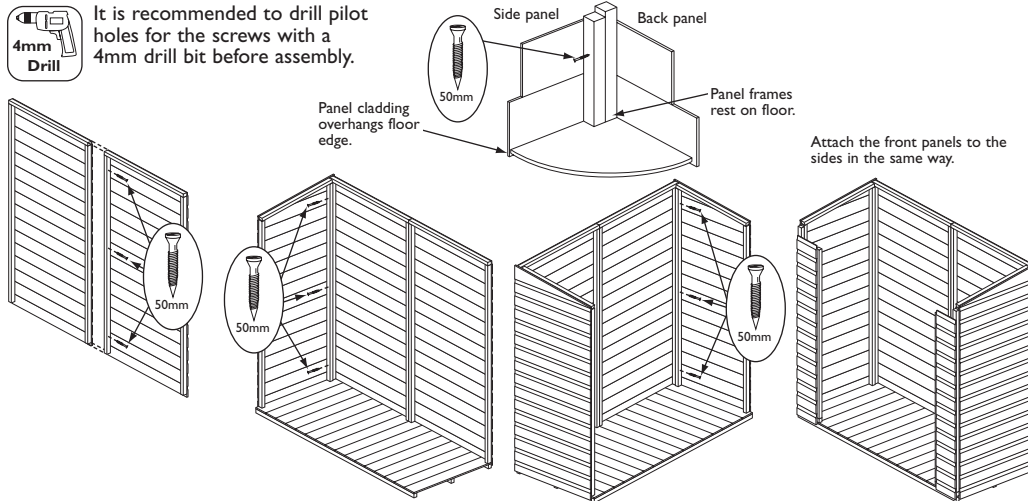
To **"VALIDATE"** the guarantee, this item should be erected on 50mm x 50mm treated wooden or similar bearers (**These are not supplied with the kit**). Ground contact must be avoided.

2. Wall panels

Lay the 2 back panels side by side on a level surface, Ensure the 2 panels are aligned with each other; secure together using 3 x 50mm screws, screw through the framing of 1 panel into the frame of the other. Position the back panel and the left side panel on the floor as shown. Note how the panel frames sit on the floor with the panel cladding overhanging the floor edge. Ensure square and secure using 3 x 50mm screws, screw through the frame of the side panel, into the frame of the back panel. Repeat for other side panel and then add the 2 front panels in the same way.



It is recommended to drill pilot holes for the screws with a 4mm drill bit before assembly.

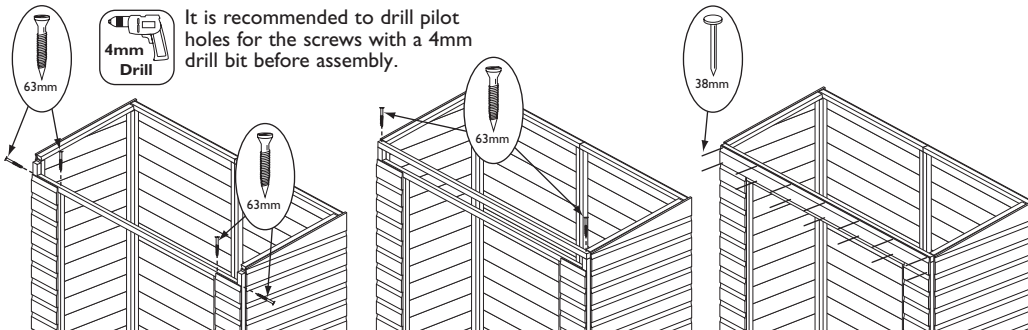


3. Top front panel

Position the door header rail on to the framing of the 2 front panels. Secure through the framing of the front panels into each end of the door header rail and secure with 2 x 65mm screws through the header rail into the ends of the upright frames of the front panels as shown. Position the top rail onto the corners of the front panels, secure down using 2 x 63mm screws, screw through the top rail into the ends of the framing of the front panels as shown. Place the front panel top board as shown, secure using 14 x 25mm nails, nail through the board into the top rail and the door header rail.

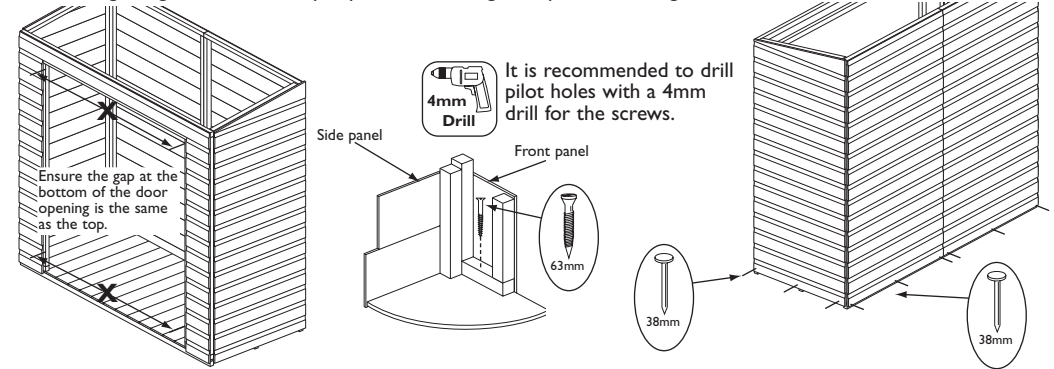


It is recommended to drill pilot holes for the screws with a 4mm drill bit before assembly.



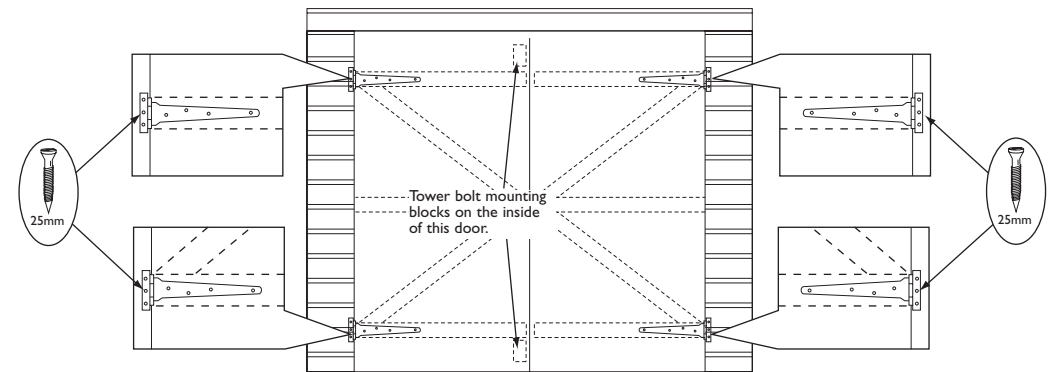
4. Securing the panels to the floor

Start by ensuring the gap between the bottom of the front panels is the same as at the top. Using 1 x 63mm screw for each front panel secure through the panel frame into the floor. For the side and back panels secure from the outside of the building using 4 x 38mm nails per panel, nail through the panel overhang into the floor.



5. Doors

Lay the assembly on its back. Place the doors in the door opening, ensure they are sitting centrally. Note the inside of the left door has the 2 pre-fitted block for the tower bolts. With the doors in place align the hinges to the door bracing and secure to the door and the front panels using 7 x 25mm screws per hinge.



6. Door fittings

Secure the tower bolts to the mounting blocks using 4 x 19mm roundhead screws per bolt. With the doors shut, position a door coverstrip so it overlaps both doors and is flush at the top of the doors, secure only to right-hand door using 3 x 22mm screws. In the same way fix the other door coverstrip flush to the bottom of the door using 3 x 38mm nails. Fit the hasp and staple between the 2 coverstrips using 7 x 19mm screws as shown below.

