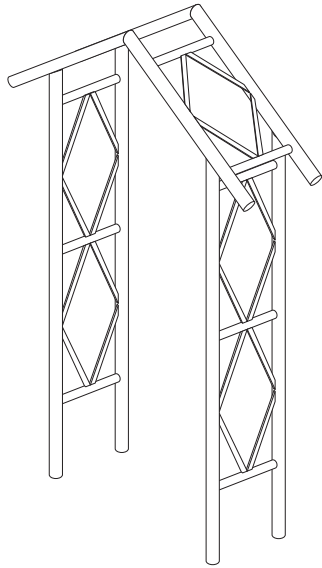


# Rustic Arch

# English SS135B

Help Line (Normal Office Hours) 01829 261 121

## Assembly Instructions



### Before assembly

- We recommend that time is taken to read the instructions before starting assembly, then follow the easy step by step guide. The instruction sheet is only a guide to the assembly. Certain items may not be shown to scale.
- Check all components prior to assembly
- This product should be assembled by no less than two people.
- Never attempt to erect the assembly in high winds.

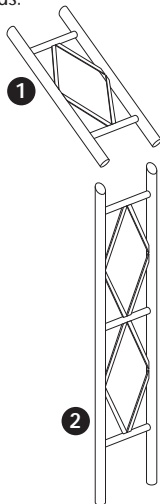


### Recommended tools for assembly

- Cross head screw driver
- Spirit level
- Step ladder

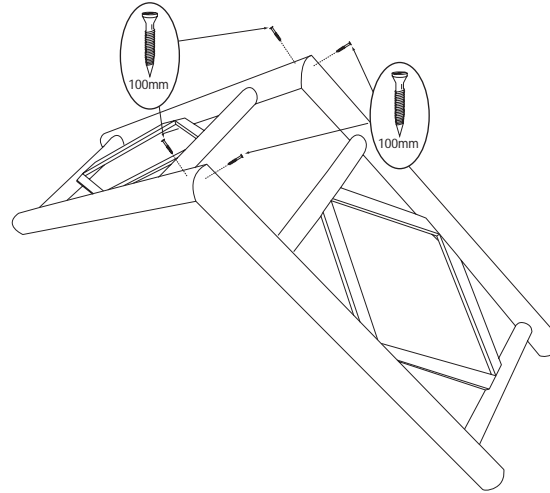
No.	Components	Qty.
1	Uprights	2
2	Roof	2

No.	Fixing Kit	Qty.
3	100mm screws	8



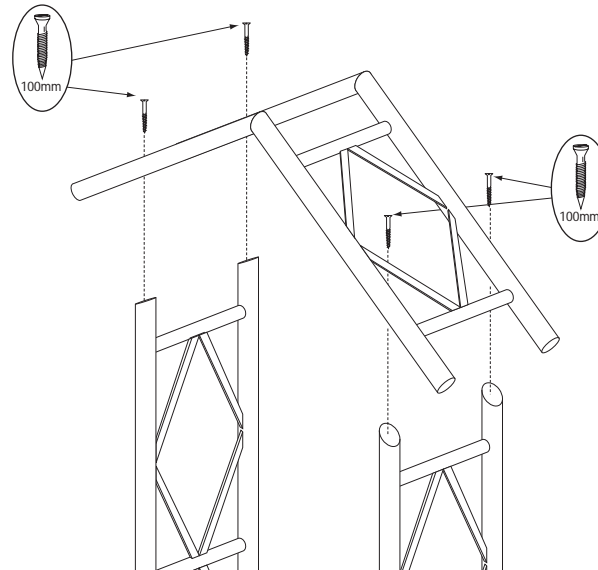
### 1. roof sections

Secure the 2 roof sections together using 4 x 100mm screws. Screw through the pre-drilled holes into the the end of the other roof section as shown.



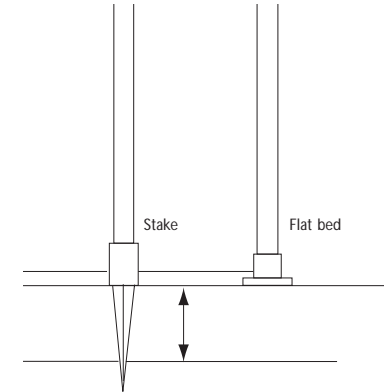
### 2. Roof section to uprights

Attach the roof section to the uprights using 4 x 100mm screws. Secure through the pre-drilled holes into the angled ends of the uprights.



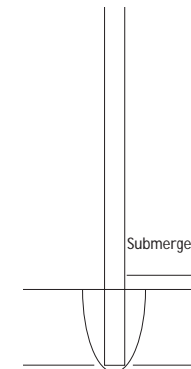
### 3. Securing the posts using stake or flatbed

If using a metal base fixing to secure the post to the ground, saw of the bottom of the upright to give the desired height of the arch.



### 4. Securing the posts submerged

Mark out holes For each upright. Dig out required depth adding an extra 150mm to be filled with well compressed hardcore. Position arch in holes and ensure level. Back fill the holes and compress soil around the feet to hold securely.



We constantly improve the quality of our products, occasionally the components may differ from the components shown and are only correct at time of printing. We reserve the right to change the specification of our products without prior notice.