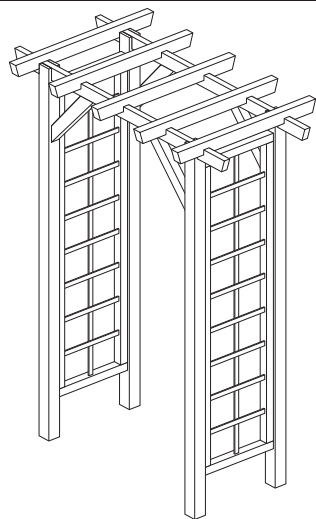


Arch

English SS054A

Help Line (Normal Office Hours) 01829 261 121

Assembly Instructions



Before assembly

- We recommend that time is taken to read the instructions before starting assembly, then follow the easy step by step guide. The instruction sheet is only a guide to the assembly. Certain items may not be shown to scale.
- Check all components prior to assembly
- This product should be assembled by no less than two people.
- Never attempt to erect the assembly in high winds.
- Drill all components where indicated.

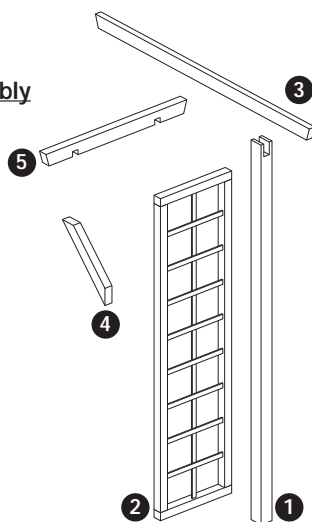


Recommended tools for assembly

- Cross head screw driver
- Drill with 4mm drill bit
- Tape measure
- Step ladder

No.	Components	Qty.
1	Upright posts	4
2	Trellis sections	2
3	Cross beams	2
4	Corner braces	4
5	Rafters	5

No.	Fixing kit	Qty.
6	60mm screws	34

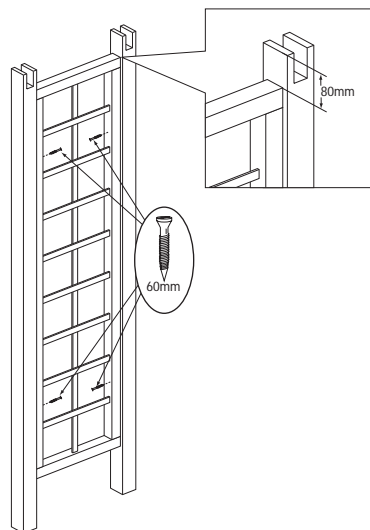


1. Arch apex sections

Position a trellis between 2 upright legs. Position the trellis so that it is approximately 80mm from the top. It is important to ensure the correct orientation of the rebate at the top of the posts as shown in the diagram. Secure the trellis to the legs using 4x60mm screws. Create a second assembly in the same way.



It is recommended to drill pilot holes in the trellis frame for these screws with a 4mm drill bit before assembly.

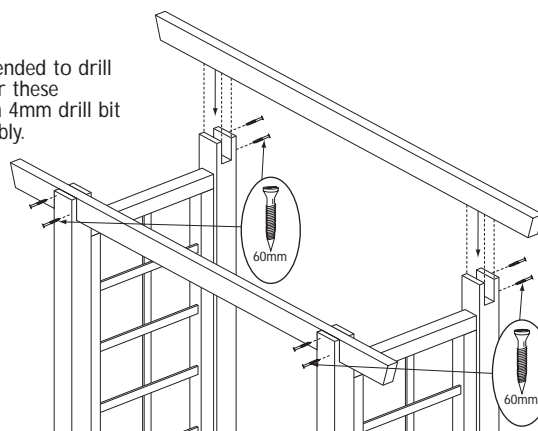


2. Cross beams

Fit the cross beams into the rebates at the top of the uprights as shown, ensure that all the legs are the same distance from the ends of the cross beams secure using 2 x 60mm screws per leg. Screw through the legs into the cross beams as shown.

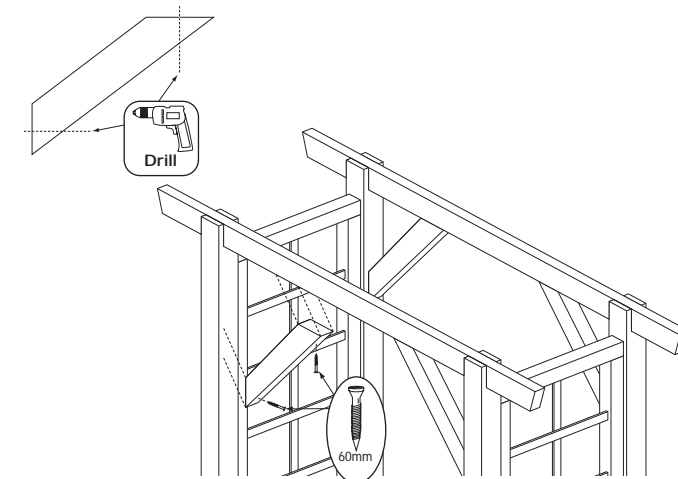
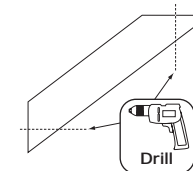


It is recommended to drill pilot holes for these screws with a 4mm drill bit before assembly.



3. Corner braces

Drill 2 holes in each corner brace as shown, fix a brace between each leg and cross beam as shown using 2 x 60mm screws per support.

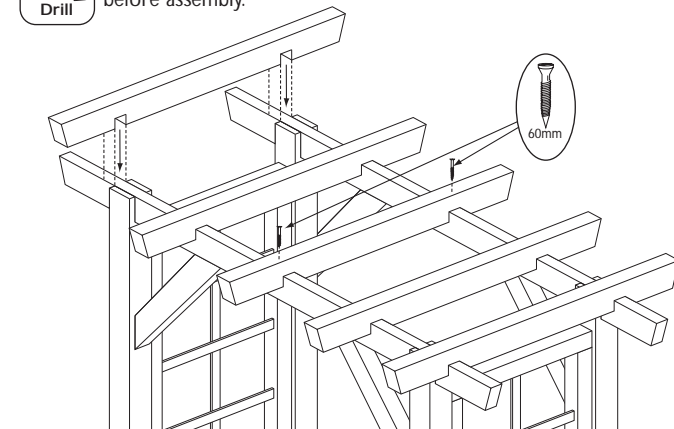


4. Rafters

Slot the rafters onto the cross beams, ensure that the rafters are all evenly spaced and secure them down using 2 x 60mm screws per rafter.



It is recommended to drill pilot holes for these screws with a 4mm drill bit before assembly.



We constantly improve the quality of our products, occasionally the components may differ from the components shown and are only correct at time of printing. We reserve the right to change the specification of our products without prior notice.