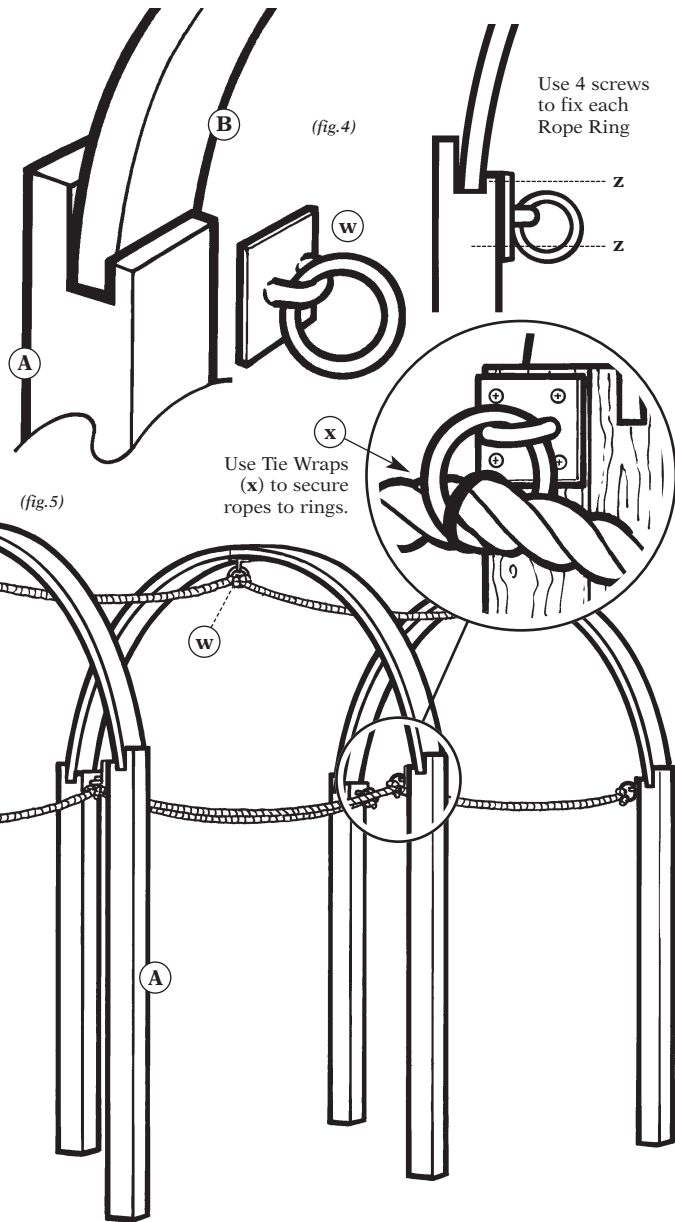


**STEP 7**  
Fix the other two curved beam assemblies as Step 6.

**STEP 8**  
Fix the Rope Rings (w) in place as shown in fig.4.

**STEP 9**  
Finally, feed the ropes through the rings and tie wrap them in place as shown in fig.5.

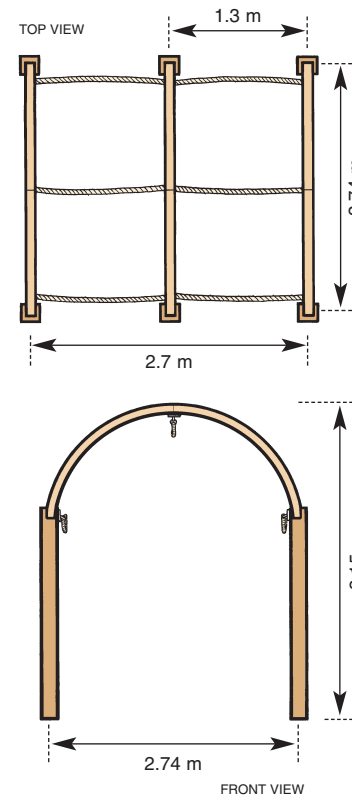
ALL PRODUCTS ARE MEASURED TO THE HIGHEST AND WIDEST POINT AND ALL SIZES ARE APPROXIMATE.



# ROPE WALK PERGOLA

## ASSEMBLY INSTRUCTIONS

### PLAN



THE PICTURE HERE SHOWS TWO LINKED ROPE PERGOLAS PLUS AN END PACK

**ROPE WALK PERGOLA (JFRW3G)**

ALL PRODUCTS ARE MEASURED TO THE HIGHEST AND WIDEST POINT AND ALL SIZES ARE APPROXIMATE

**AFTERCARE**

To ensure longevity of your structure it is recommended that it is treated with a wood preservative on a yearly basis.



Grange Code: JFRW3G

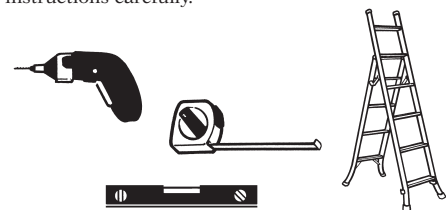


GRANGE FENCING LIMITED  
Halesfield 21, Telford TF7 4PA  
Tel: 01952 588088 Fax: 01952 581522  
Email: sales@grangefen.co.uk Web: www.grangefen.co.uk  
OUT OF HOURS MESSAGE SERVICE: 01952 588088

Thank you for choosing this garden structure from Grange Fencing Ltd. In order to gain the most benefit from it please read the following instructions carefully.

**TOOLS REQUIRED** (Not Supplied)

- POWER SCREWDRIVER
- TAPE MEASURE
- STEPLADDER
- SPIRIT LEVEL

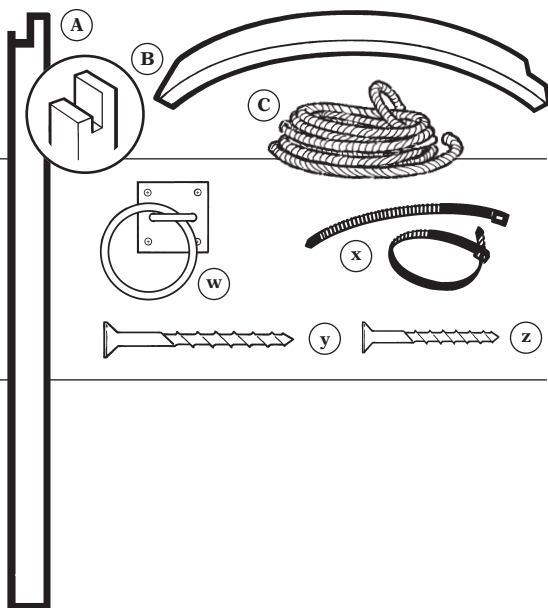


**PARTS LIST**

- (A) POSTS 6
- (B) CURVED BEAM 6
- (C) ROPES 3

**HARDWARE PACK**

- (w) ROPE RINGS 9
- (x) TIE WRAPS 9
- (y) SCREW No.10 x 3" 24
- (z) SCREW No.8 x 2" 36



**BEFORE YOU START**

- Please ensure that you check all the component parts for quantity and quality before you commence building the product. Report any missing parts immediately. The manufacturer will not accept any responsibility for damaged items once any part of the product has been fitted or altered in any way.
- Timber is a natural material and will react to varying levels of moisture content - ie. will swell or shrink. All of the Timber components are pressure treated green. However, should extra protection be required, they should be treated using a wood preservative treatment, following the manufacturers instructions.

**HEALTH AND SAFETY**

Do **NOT** overstretch when working from the step ladder.

In order to reduce the risk of suffocation please keep all plastic bags and small parts away from children.

- When you are ready to start, make sure you have the right tools to hand, plenty of space and a clean, dry area for assembly.

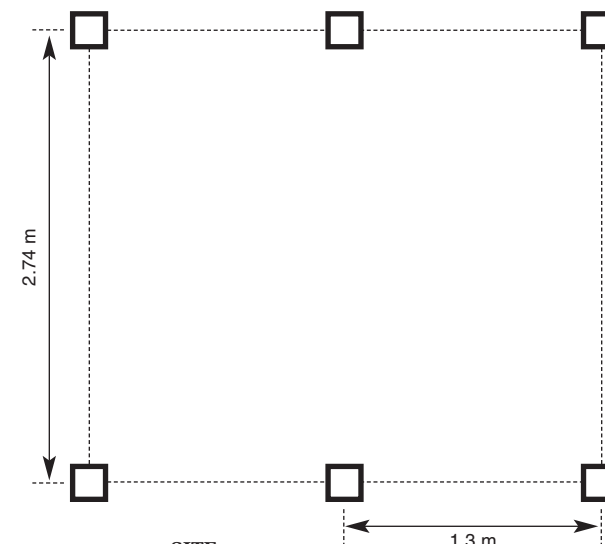
**It is advisable for two people to erect the structure.**

**PREPARATION**

Make sure the area where the Rope Walk is to be positioned is clear and ready for building the structure.

**ROPE WALK 'FOOTPRINT'**

Measurements indicated to centre of posts.



**ASSEMBLY INSTRUCTIONS**

**SITE PREPARATION**

Mark out the area where the structure is to be sited using the footprint shown above.

Excavate a hole for each post to a depth of 300mm (see fig.1) This will give your structure adequate stability.

**ASSEMBLY**

**STEP 1**

Take two of the Curved Beams (B) and fix them together as shown in fig.2.

**STEP 2**

Position the assembly to enable an accurate position for the posts (A) to be ascertained. Mark the positions. (see 'footprint' above).

**STEP 3**

Fix two posts in the positions marked. Ensure they are vertical.

**STEP 4**

Repeat Steps 2 and 3 for the two remaining positions.

**STEP 5**

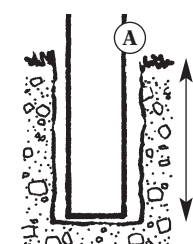
Repeat Step 1 for the remaining Curved Beams.

**STEP 6**

Check the posts are secure before fixing one of the curved beam assemblies as shown in fig.3.

(continued overleaf)

**SITE PREPARATION**



We would recommend that you use **MetCrete**, fast set post fixing concrete to fix your posts. Easy to use, it sets in just 10 minutes.

**STEP 1 (fig.2)**

