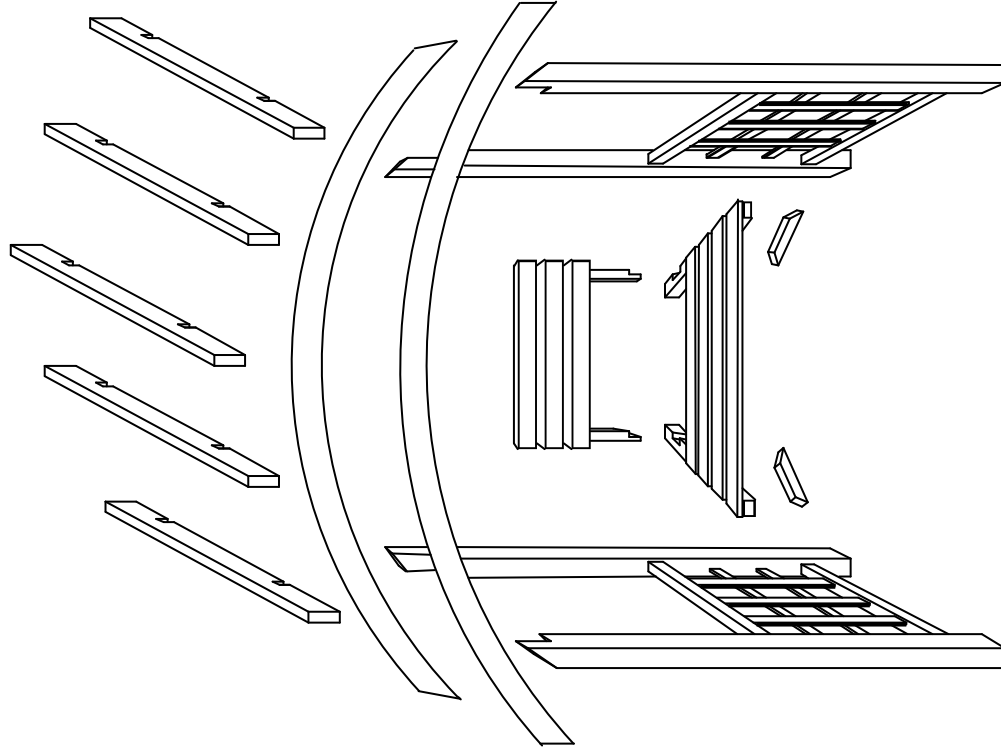


# ROMANA ARBOUR

## ASSEMBLY INSTRUCTIONS



<b>A</b>	<b>Side Sections</b>		<b>2</b>
<b>B</b>	<b>Seat Back</b>		<b>1</b>
<b>C</b>	<b>Seat</b>		<b>1</b>
<b>D</b>	<b>Roof Beams</b>		<b>2</b>
<b>E</b>	<b>Roof rafters</b>		<b>5</b>
<b>F</b>	<b>Support struts</b>		<b>2</b>
<b>G</b>	<b>4 x 60mm csk</b>		<b>18</b>
<b>H</b>	<b>3.5 x 30mm csk</b>		<b>4</b>
<b>J</b>	<b>2.5 x 50mm csk</b>		<b>10</b>
<b>L</b>	<b>3.5 x 70mm csk</b>		<b>4</b>

### Tools required (NOT SUPPLIED)

Power screwdriver with Pozidrive No.2 bit. Tape measure  
3mm pilot drill

### Before you start.

Check the packs and make sure that you have all of the parts listed above. If not contact your retailer who will be able to help you.

When you are ready to start make sure you have the right tools to hand, plenty of space and a clean dry area for assembly.

It is advisable for two people to carry out the work.

### **CARE OF YOUR ARBOUR**

The Romana Arbour is made of planed pressure treated and FSC certified timber and as such is guaranteed against rot for a minimum of 15 years. However, it must be remembered that as a natural product, timber is subject to movement and weathering as it seasons. It is not uncommon for small spits to occur when drying and warping when timber is allowed to dry too rapidly. These will normally go back when humidity rises, it is nature at work and not considered a fault.

Its colour will also change with time, A re-treatment, as required with a proprietary wood treatment is recommended.

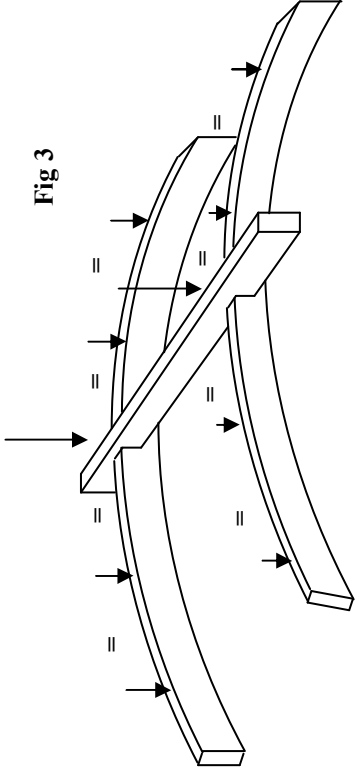
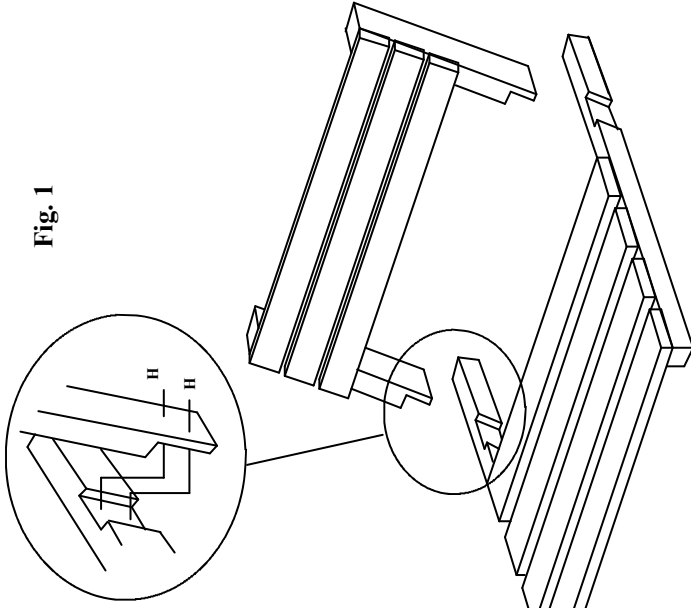
## ASSEMBLY

1. Assemble the seat (B/C) as shown in Fig. 1 using screws (H).

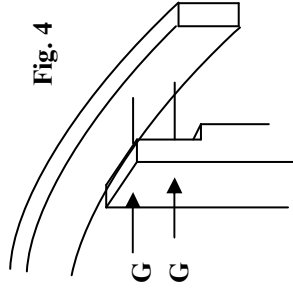
2. Lay one of the side assemblies (A) on a clean, flat area and attach the seat to the side assembly using screws (G). The seat should be positioned approximately 450mm from the bottom of the posts as Fig. 2.

3. Turn the assembly onto the seat back (B) so that the second side may be attached to the other end of the seat assembly. Ensure the seat height is the same on both sides.

4. Stand the assembly upright with care



5. Take the two curved roof beams and mark the positions for the rafters. Start at the centre of the beams and mark two equally spaced positions either side of centre as Fig. 3.



6. Fit the curved roof beams to the top of the posts ensuring the overhang at each end is the same using screws (G) as Fig. 4.

7. The rafters should now be fitted at the positions marked on the beams using screws (J).

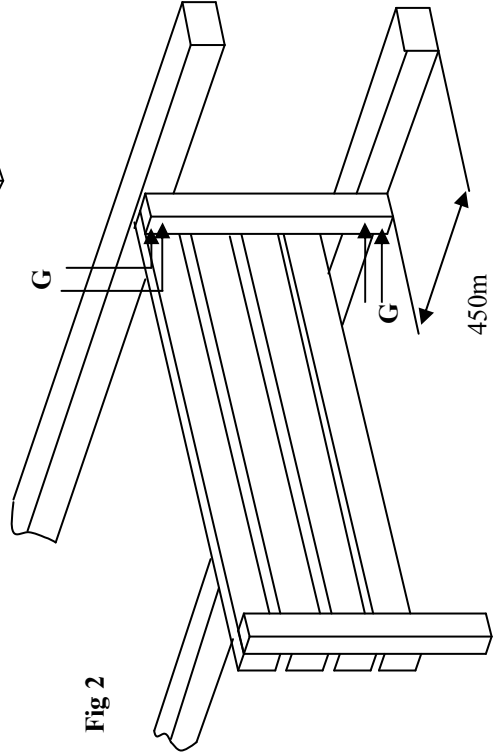


Fig 2

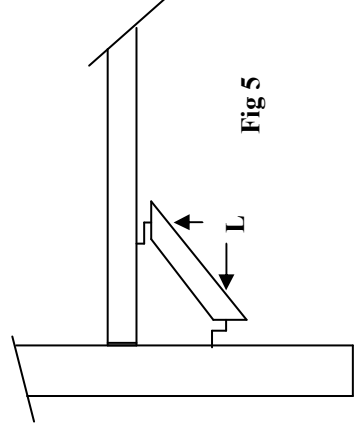


Fig 5

8. Finally fix the struts at the front of the arbour between the post and underside of the seat using screws (L) as Fig 5