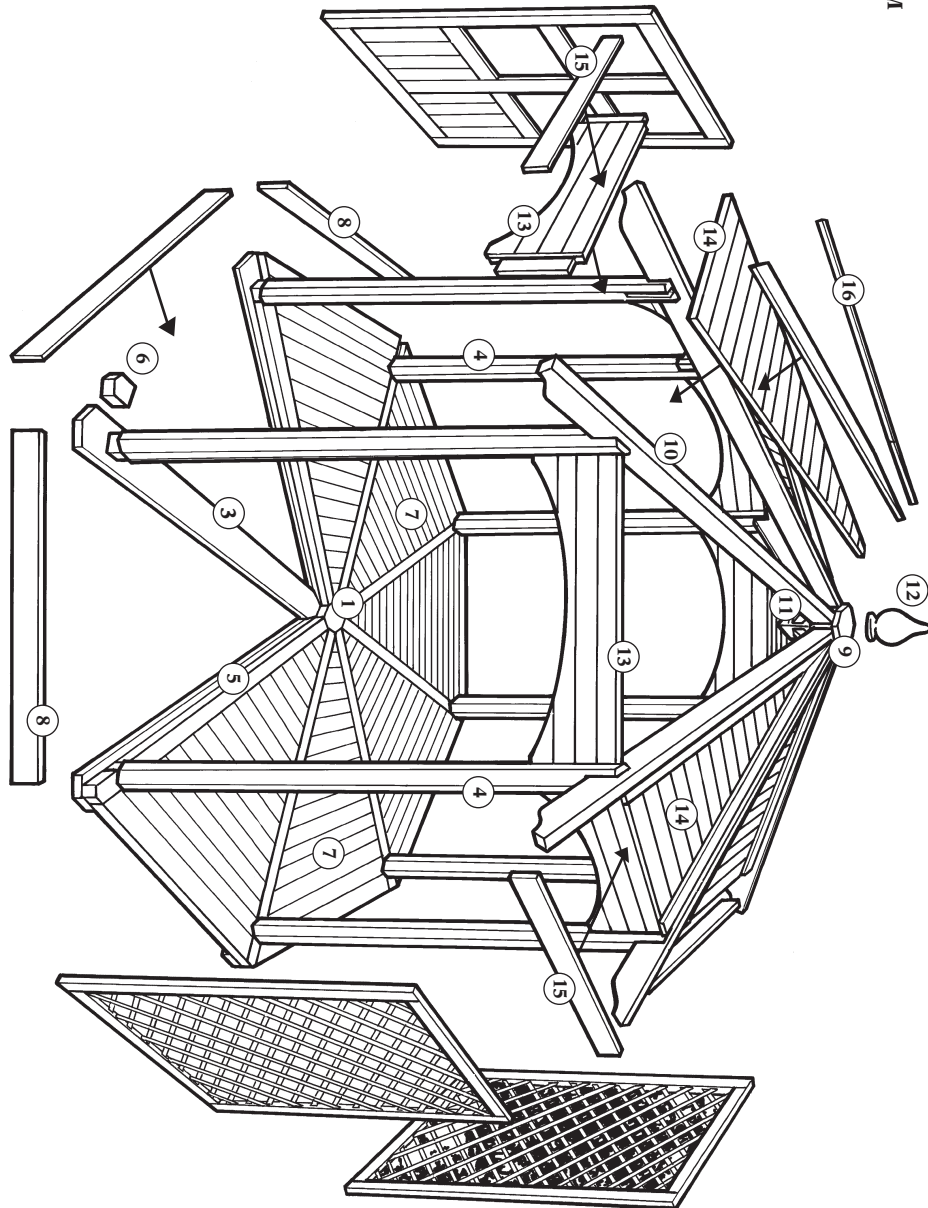


REGIS GAZEBO

ASSEMBLY INSTRUCTIONS



- REGIS GAZEBO
EXPLODED DIAGRAM**
- 1 FLOOR CENTRE BLOCK 1
 - 2 LEVELLING BLOCKS 16
 - 3 FLOOR JOIST 8
 - 4 POST 8
 - 5 FLOOR SPACER 8
 - 6 OUTER FLOOR SPACER FILLET 8
 - 7 FLOOR SECTION 8
 - 8 FLOOR SKIRTING BOARD 8
 - 9 ROOF CENTRE BLOCK 1
 - 10 ROOF BEAM 8
 - 11 ROOF BEAM SUPPORT STRUT 4
 - 12 TEARDROP FINIAL 1
 - 13 CURVED INFILL 8
 - 14 ROOF SECTION 8
 - 15 ROOF SECTION SOHFT 8
 - 16 ROOF EDGING STRIPS 16



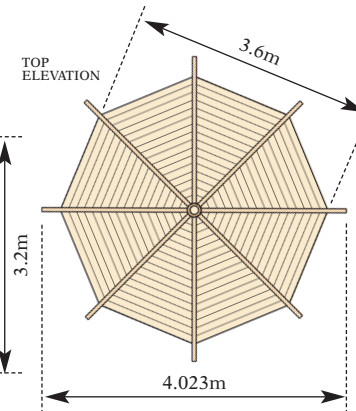
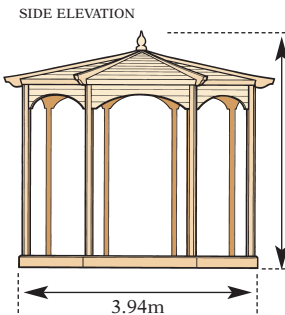
REGIS
'BANDSTAND'



OPTION B

OPTION C

PLAN



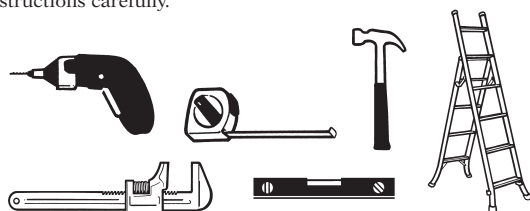
Grange

GRANGE FENCING LIMITED
Halesfield 21, Telford TF7 4PA
Tel: 01952 588088 Fax: 01952 581522
Email: sales@grangefen.co.uk Web: www.grangefen.co.uk
OUT OF HOURS MESSAGE SERVICE: 01952 588088

Thank you for choosing this garden building from Grange Fencing Ltd. In order to gain the most benefit from it please read the following instructions carefully.

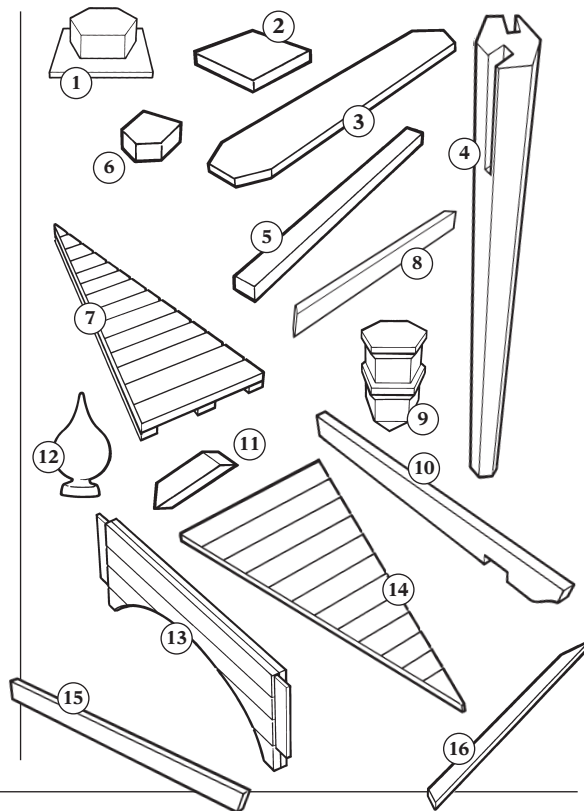
TOOLS REQUIRED (Not Supplied)

- POWER DRILL/SCREWDRIVER
- SPIRIT LEVEL
- TAPE MEASURE
- HAMMER
- STEPLADDER
- ADJUSTABLE SPANNER



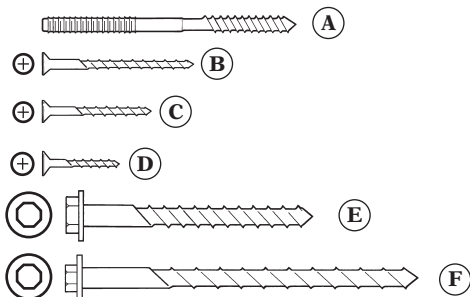
PARTS LIST

- ① FLOOR CENTRE BLOCK 1
- ② LEVELLING BLOCKS 16
- ③ FLOOR JOIST 8
- ④ POST 8
- ⑤ JOIST FLOOR SPACER 8
- ⑥ OUTER FLOOR SPACER FILLET 8
- ⑦ FLOOR SECTION 8
- ⑧ FLOOR SKIRTING BOARD 8
- ⑨ ROOF CENTRE BLOCK 1
- ⑩ ROOF BEAM 8
- ⑪ ROOF BEAM SUPPORT STRUT 4
- ⑫ TEARDROP FINIAL 1
- ⑬ CURVED INFILL 8
- ⑭ ROOF SECTION 8
- ⑮ ROOF SECTION SOFFIT 8
- ⑯ ROOF EDGING STRIPS 16



HARDWARE PACK

- Ⓐ POST SECURING SCREW 8
- WASHER 8
- NUT 8
- Ⓑ SCREW Ø4 x 70mm 200
- Ⓒ SCREW Ø3.5 x 35mm 72
- Ⓓ SCREW Ø4 x 50mm 88
- Ⓔ HEX SCREW Ø5 x 150mm 8
- Ⓕ HEX SCREW Ø5 x 200mm 8



STEP 26

Take two Roof Edging Strips (16) and fit to one of the roof sections at the edge against the roof beams. Fix in place using three screws (C) for each one.

STEP 27

Fit the remaining roof edging strips.

STEP 28

Take an Outer Floor Spacer Fillet (6) and fix to the Floor Joist (3) using one screw (B).

STEP 29

Fit the remaining outer floor spacer fillets around the floor.

STEP 30

Finally, fit the Floor Skirting Boards (8) to the floor using screws (D) as shown in Fig.15.

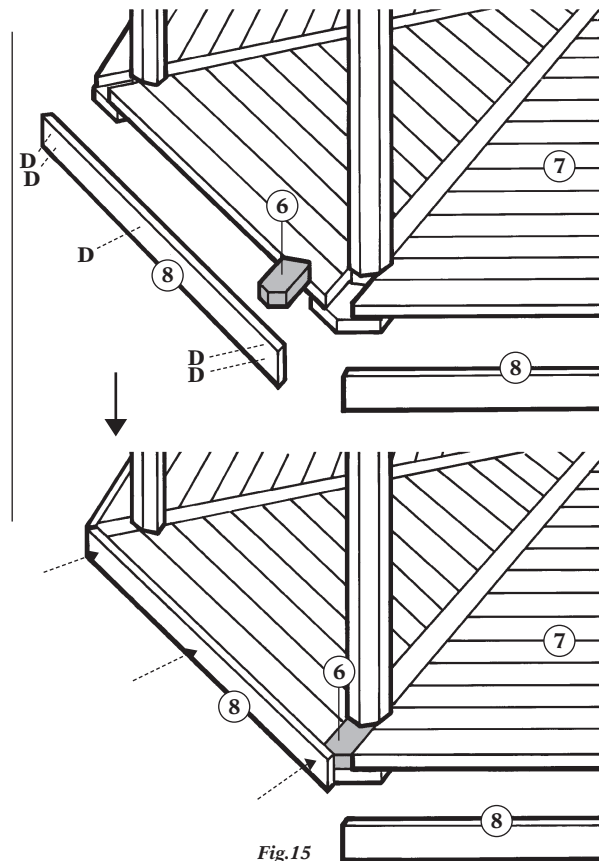


Fig.15

FITTING PANELS TO YOUR GAZEBO

If you have chosen panels for your Gazebo, there are two options available for fitting them.

OPTION 1

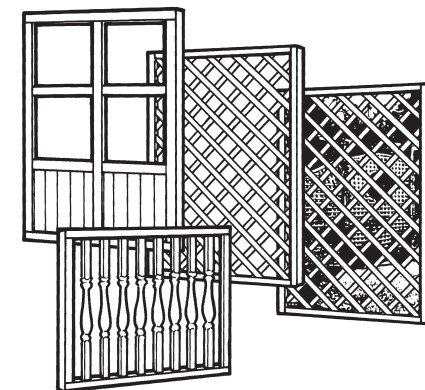
Fit the right angle brackets to the posts approx. 150mm from the top and bottom of where the panel will be fixed using 3.5 x 35mm screws supplied with the panel.

NB. Does not apply to the Ballustrade as this is only a half panel. Ensure the bracket will fit on the inside of the panels. Fix the panel to the brackets using the screws provided.

NB. Fixings for insert panels will only be supplied if purchasing a Grange 'dressed option' Gazebo.

OPTION 2

The panels may be fixed in place by screwing at an angle through the panel into the post (screws not supplied).



AFTERCARE

To ensure longevity of your structure it is recommended that it is treated with a wood preservative on a yearly basis.

STEP 16

Fit a roof support strut to this roof beam as **Step 13**.

STEP 17

Lift the assembly into place locating each of the roof beams onto the top of a post. Centralise the roof beams on the posts.

STEP 18

Fit a roof beam opposite to the one fitted in **Step 15**.

STEP 19

Fit the remaining roof beam support strut to this roof beam as **Step 15**.

STEP 20

Now fit the remaining roof beams to complete the roof.

Screw each one to the top of the posts using hexagon head screws (F).

STEP 21

The Teardrop Finial* (12) should now be fixed to the top of the Roof Centre Block (9).

*Two types of finial may be used. One has a dowel fitted - a hole will need to be drilled in the roof centre block to take this. The second type is screwed in place with a double ended screw.

STEP 22

The Roof Sections (14) are now ready to be fitted. Lift a roof section into place. Slide it in as far as it will go. Lift the point of the roof section slightly if required to provide the best fit. Fix in place with four screws (B) down each side into the Roof Beams as **Fig.14**.

NB. There will be a small gap each side of the roof section. This is normal.

STEP 23

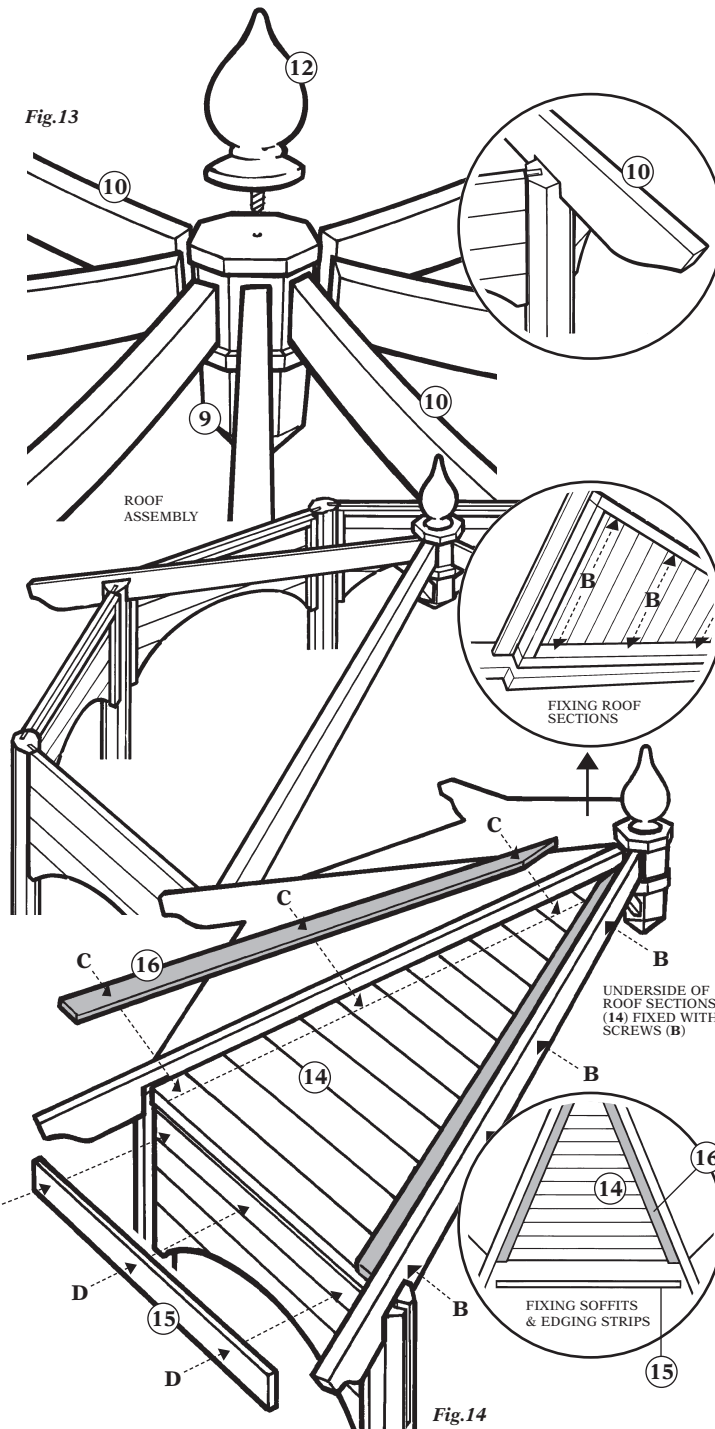
Fit the remaining roof sections (14) as above.

STEP 24

Fix one of the Roof Section Soffits (15) to the roof section as **Fig.14**.

STEP 25

Repeat for the remaining roof sections.



BEFORE YOU START

- Please ensure that you check all the component parts for quantity and quality before you commence building the product. Report any missing parts immediately to your supplier.
- Timber is a natural material and will react to varying levels of moisture content - ie. will swell or shrink. All of the Timber components are pressure treated green. However, should extra protection be required, they should be treated using a suitable wood preservative treatment, following the manufacturers instructions.

HEALTH AND SAFETY

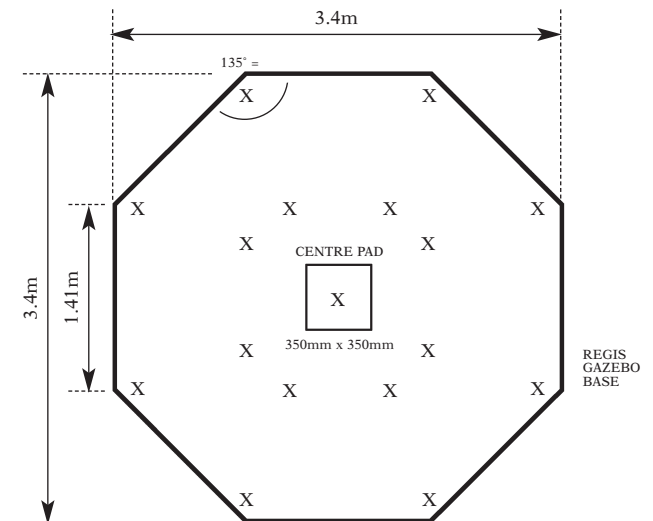
Do not lean or stand on the roof assembly at any time - the roof is not of a load bearing design. Do not overstretch when working from a step ladder. In order to reduce the risk of suffocation please keep all plastic bags and small parts away from children.

- When you are ready to start, make sure you have the right tools to hand, plenty of space and a clean, dry area for assembly. It is advisable for two people to carry out the work.

BASE REQUIREMENT FOR REGIS GAZEBO

The base for the Gazebo is most important and needs to be solid and level. Two options are recommended:

1. A 100mm thick concrete sub base to the footprint shown (right) alternatively
2. Concrete pads may be used instead, in the positions indicated with an X, however it is imperative that the base is level.



ASSEMBLY INSTRUCTIONS

Take time to ensure the floor is assembled as described below.

STEP 1

Lay the Floor Centre Block (1) in position and place the Floor Joists (3) around it as shown in **Fig.1**.

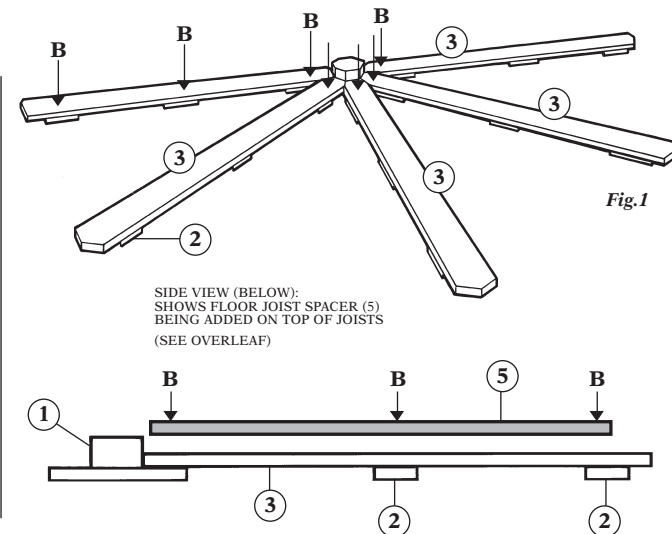
Ensure the joists are the best even fit all around the centre block.

Fix each joist to the base block using one screw (B) to secure their positions.

STEP 2

Use the Levelling Blocks (2) to level the joists, checking with the spirit level. Fix each block to the joist using one screw (B) for each block as **Fig.1**.

NB. Ensure free access of the holes in the joists for the post fixing.



STEP 3

Now lay the Floor Joist Spacers (5) on the floor joists. Ensure best fit at the centre and fix with one screw (B) as Fig.2.

STEP 4

Lay the Floor Sections (7) in place and again ensure the best fit all around the floor.

STEP 5

Check the floor joists are positioned so that the floor sections are aligned with them. Tap the floor joist into position if required.

STEP 6

The floor section spacers and floor sections should now be secured in place using screws (B). Four screws equally spaced along each edge of the floor sections and two additional screws in the spacers as shown in Fig.3.

STEP 7

Prepare the Posts (4) for fitting to the floor joists. Take one of the screwbolts (A) and screw it into the pre-drilled hole in one of the posts*.

The threaded section should protrude 60mm as Fig.6. Repeat for the remaining posts.

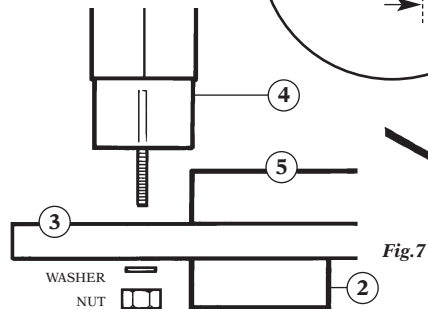
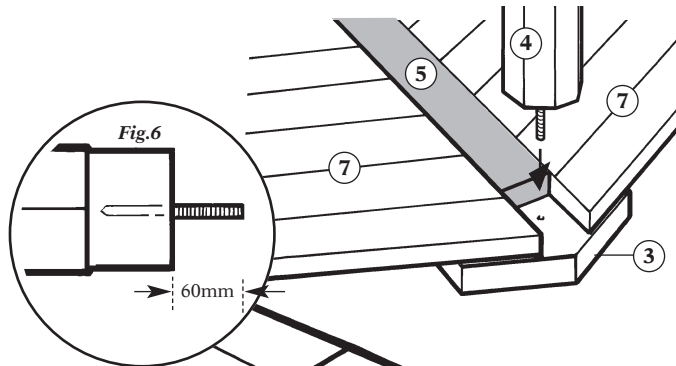
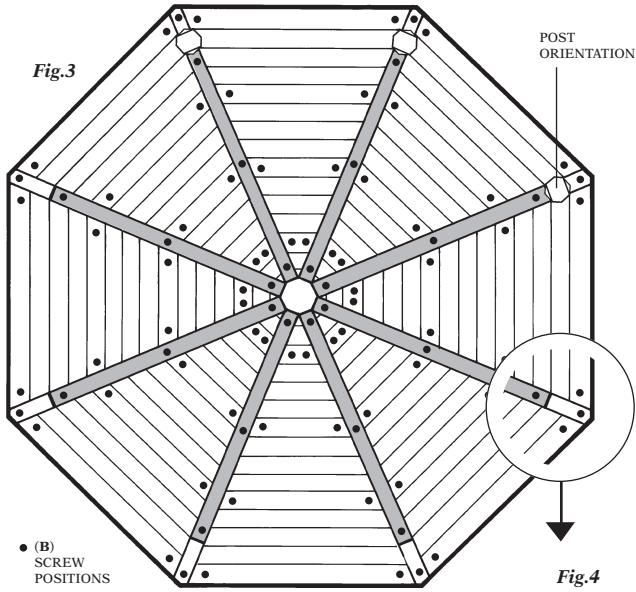
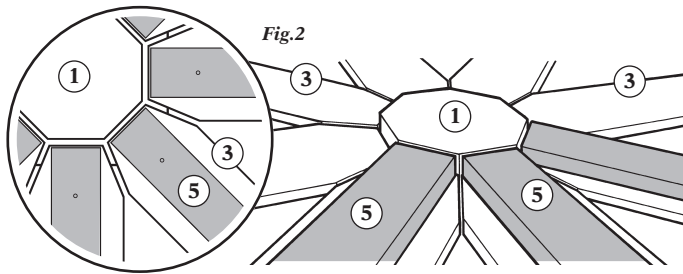
*The screwbolt has an allen key socket in the end to enable it to be screwed into the post.

STEP 8

Take one of the posts and insert the thread through the hole in the floor joist as Fig.7.

Fix a washer and nut on the underside of the joist. Tighten with a spanner until the post is stable - do not overtighten.

Fit the remaining posts around the floor in the same way.

**STEP 9**

The Curved Infills (13) can now be fitted. Slide one of the curved infills between two of the posts into the slots provided. The top of the infill should be level with the top of the post as Fig.9.

Fix the infill in place using three screws (D) in either side as Fig.8.

Complete the circle as Fig.10.

STEP 10

To aid assembly of the roof it is advisable to pre-drill 5mm pilot holes through the Roof Beams as Fig.11.

STEP 11

Before starting the assembly of the roof, make sure safe access to the highest point of the roof is achievable from the step ladder being used.

Fix one of the roof beams (10) to the Roof Centre Block (9) using a hexagon head screw (E) as Fig.11.

STEP 12

Now fix a second roof beam directly opposite using the same method.

STEP 13

Fit a Roof Beam Support Strut (11) between the roof centre block and one of the fixed roof beams as Fig.11.

STEP 14

Fix a roof support strut to the second roof beam.

STEP 15

Now fix a third roof beam to the roof centre block at 90° to the two already fixed as Fig.12.

