

# MONTEBELLO ARBOUR

ASSEMBLY  
INSTRUCTIONS



<b>A</b>	<b>SIDE SECTIONS</b>		<b>2</b>
<b>B</b>	<b>SEAT BACK</b>		<b>1</b>
<b>C</b>	<b>SEAT</b>		<b>1</b>
<b>D</b>	<b>BACK TRELLIS</b>		<b>1</b>
<b>E</b>	<b>CURVED ROOF BEAMS</b>		<b>4</b>
<b>F</b>	<b>ROOF STRUTS</b>		<b>7</b>
<b>G</b>	<b>FINIAL</b>		<b>2</b>
<b>H</b>	<b>SUPPORT STRUTS</b>		<b>2</b>
<b>W</b>	<b>Screw 3. 5 x 35 mm</b>		<b>4</b>
<b>X</b>	<b>Screw 3. 5 x 50 mm</b>		<b>4</b>
<b>Y</b>	<b>Screw 3. 5 x 70 mm</b>		<b>12</b>
<b>Z</b>	<b>Screw 4 x 60 mm</b>		<b>22</b>

## CARE OF YOUR ARBOUR

The Montebello Arbour is made of planed pressure treated and FSC certified timber and as such is guaranteed against rot for a minimum of 15 years. However, it must be remembered that as a natural product, timber is subject to movement and weathering as it seasons. It is not uncommon for small spits to occur when drying and warping when timber is allowed to dry too rapidly. These will normally go back when humidity rises, it is nature at work and not considered a fault.

Its colour will also change with time, a re-treatment, as required with a proprietary wood treatment is recommended.

**Tools required (NOT SUPPLIED)**

Power screwdriver with Pozidrive No.2 bit. Tape measure.  
3mm pilot drill  
Hammer.

**Before you start.**

Check the packs and make sure that you have all of the parts listed above. If not contact your retailer who will be able to help you.  
When you are ready to start make sure you have the right tools to hand, plenty of space and a clean dry area for assembly.  
It is advisable for two people to carry out the work.

**ASSEMBLY.**

- 1 First of all assemble the seat as Fig 1. using two screws **W** each side.
- 2 Lay one of the side sections **A** flat on the ground.
- 3 Position the seat as shown in Fig 2 and fix it to the side section using screws **Z**.
- 4 Take the other side section **A** and fix it to the free end of the seat using screws **Z**, making sure the seat height is the same both sides.
- 5 You may now stand the assembly up carefully.

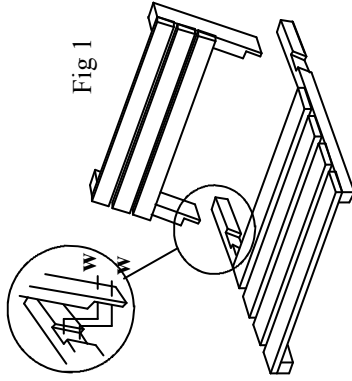


Fig 1

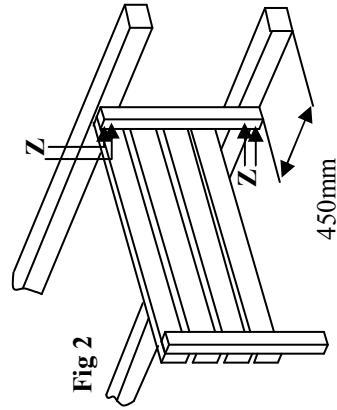


Fig 2

- 6 The back trellis should now be fitted. Use two screws **Y** either side to fix to the side section posts as Fig 3.
- 7 Now fix the struts between the bottom of the seat and the post at the front of the seat as Fig 4.

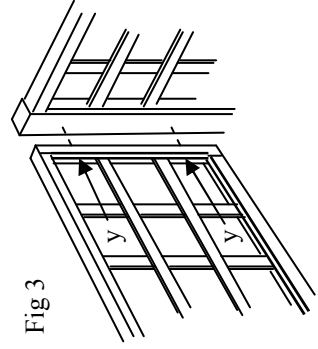


Fig 3

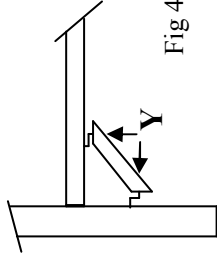


Fig 4

- 8 Take two of the curved sections for the roof. The curves have location slots for the roof struts as Fig 5.

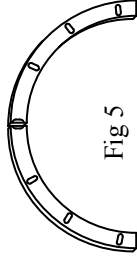


Fig 5

- 9 Fix one of the roof struts at the join of the curved beams from the outside (plain) side using the Fintel to form the joint as Fig 6 & 7.
- 10 Using the remaining two curved beams fix them to the other end of the roof strut in the same way.
- 11 Raise this assembly and locate onto the tops of the posts of the seat assembly. Insert the roof struts between the curved beams in the slots provided and fix the curved beams to the top of the post using two screws **Z** at each post as Fig 8.
- 12 Your arbour is now completed.

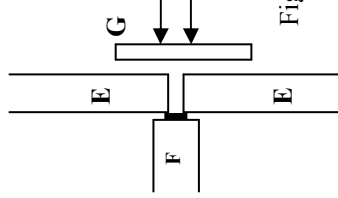


Fig 6

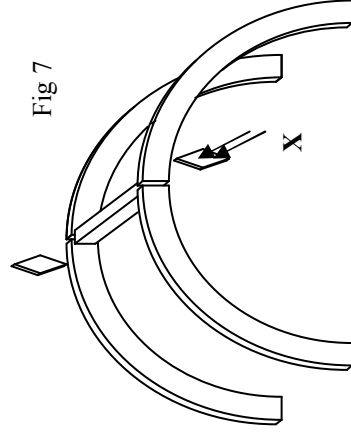


Fig 7

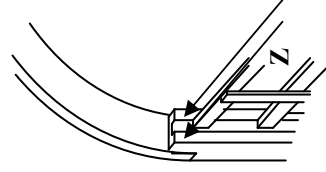


Fig 8