

**STEP 5**

Position the second circle on top of the first one and align them as closely as possible. Allow the glue to set before continuing - see fig.5.

**PART TWO**

**STEP 6**

Mark the circle at the points shown in fig.5. Drill each point straight through on both circles using 13mm bit.

**STEP 7**

Take one of the Metal Rods (3) & fix to one of the circles as shown in fig.7 at the top of the circle.

**STEP 8**

Repeat Step 7 for the other points on the circle except for the two with the feet attached at the ends.

**STEP 9**

At one of the circle Feet fix a Metal Rod as shown in fig.10 at the foot of the page.

**STEP 10**

Repeat Step 9 for the other end of the circle.

**STEP 11**

Fix the second circle to the first circle as shown in fig.9.

**STEP 12**

Fix the Brackets (f) to the Feet as in Step 9 - see fig.10.

**STEP 13**

Position the circle and fix the Brackets securely.

**STEP 14**

Carry out a final check of the Bolts for tightness.

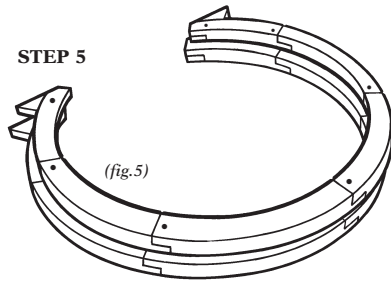
**STEP 15**

Fit the Plastic Caps (c) into the Plastic Cups (b).

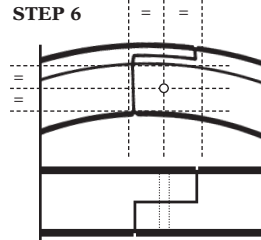
**AFTERCARE**

To ensure longevity of your structure it is recommended that it is treated with a wood preservative on a yearly basis.

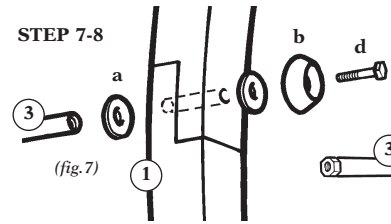
*NOTE - The manufacturer reserves the right to alter specifications as necessary.*



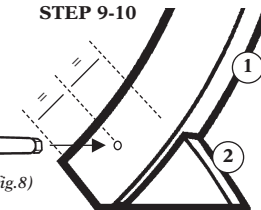
STEP 5 (fig.5)



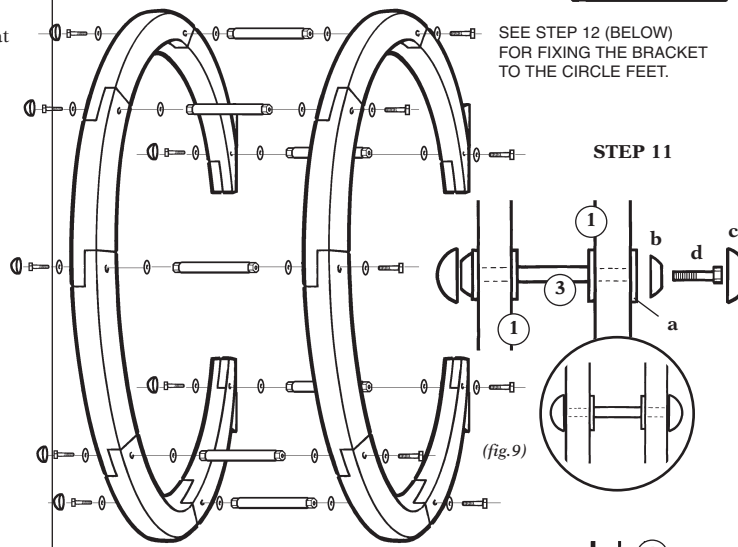
STEP 6 (fig.6)



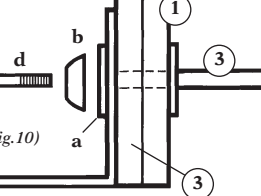
STEP 7-8 (fig.7)



STEP 9-10 (fig.8)



STEP 11 (fig.9)



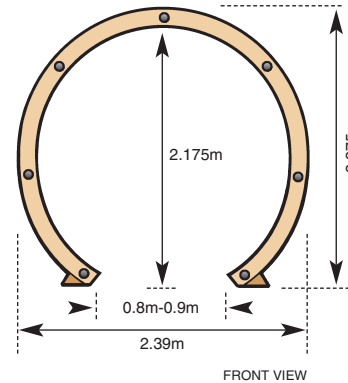
STEP 12 (fig.10)

SEE STEP 12 (BELOW) FOR FIXING THE BRACKET TO THE CIRCLE FEET.

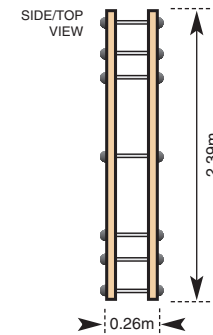
# FREE STANDING FLOWER CIRCLE

## ASSEMBLY INSTRUCTIONS

**PLAN**



FRONT VIEW



SIDE/TOP VIEW

ALL PRODUCTS ARE MEASURED TO THE HIGHEST AND WIDEST POINT AND ALL SIZES ARE APPROXIMATE



**FREE STANDING FLOWER CIRCLE (FSFCIRC)**



**AFTERCARE**

To ensure longevity of your structure it is recommended that it is treated with a wood preservative on a yearly basis.



Grange Code: FSFCIRC

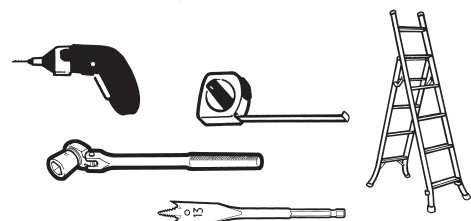


GRANGE FENCING LIMITED  
Halesfield 21, Telford TF7 4PA  
Tel: 01952 588088 Fax: 01952 581522  
Email: sales@grangefen.co.uk Web: www.grangefen.co.uk  
OUT OF HOURS MESSAGE SERVICE: 01952 588088

Thank you for choosing this garden structure from Grange Fencing Ltd. In order to gain the most benefit from it please read the following instructions carefully.

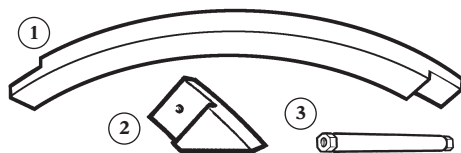
**TOOLS REQUIRED** (Not Supplied)

- POWER SCREWDRIVER
- TAPE MEASURE
- STEPLADDER
- 17mm BI-HEX SOCKET & HANDLE
- 13mm WOOD DRILL BIT



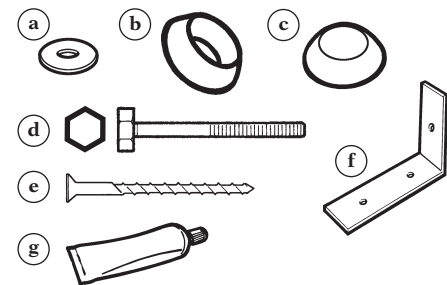
**PARTS LIST**

- ① CURVED BEAM 12
- ② FOOT 4
- ③ METAL RODS 7



**HARDWARE PACK**

- Ⓐ WASHER 28
- Ⓑ PLASTIC CUP 14
- Ⓒ CAP 14
- Ⓓ M10 x 70 HEX BOLT 14
- Ⓔ M4 x 70 SCREWS 28
- Ⓕ METAL BRACKETS 4
- Ⓖ WOOD GLUE 1



**BEFORE YOU START**

- Please ensure that you check all the component parts for quantity and quality before you commence building the product. Report any missing parts immediately. The manufacturer will not accept any responsibility for damaged items once any part of the product has been fitted or altered in any way.
- Timber is a natural material and will react to varying levels of moisture content - ie. will swell or shrink. All of the Timber components are pressure treated green. However, should extra protection be required, they should be treated using a wood preservative treatment, following the manufacturers instructions.

**HEALTH AND SAFETY**

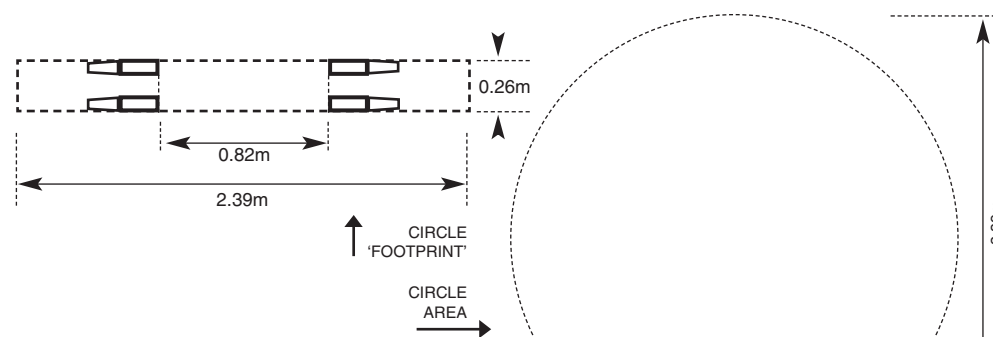
Do **NOT** overstretch when working from the step ladder.

In order to reduce the risk of suffocation please keep all plastic bags and small parts away from children.

- When you are ready to start, make sure you have the right tools to hand, plenty of space and a clean, dry area for assembly.  
*It is advisable for two people to erect the structure.*

**PREPARATION**

Make sure the area where the Free Standing Flower Circle is to be positioned is clear and ready for building the structure.



**ASSEMBLY INSTRUCTIONS**

**PART ONE**

To ensure a sound structure it is recommended that the sections which form the circle are glued and assembled then allowed to set for 24 hours before continuing.

Make sure you have a clean, flat dry area big enough to assemble a circle.

**REMEMBER - THE CIRCLE, ONCE ASSEMBLED, WILL NEED TO BE LEFT UNDISTURBED FOR 24 HOURS.**

**ASSEMBLING THE CIRCLE**

**STEP 1**

We recommend the Curved Beams (1) are sorted for best fit of the joints. Changes in the beams can be caused by the pressure treatment following machining.

Take two of the curved sections and apply the wood glue (g) generously to one of the joint faces. Make sure the surface is clean and dry before applying the glue. Fix the mating joint in place and fix with two screws (e) see fig.2.

**STEP 2**

Continue fixing the remaining curved beams in the same manner. Six curved sections form the circle.

**STEP 3**

At each end fix one of the Feet (2) as shown in fig.4.

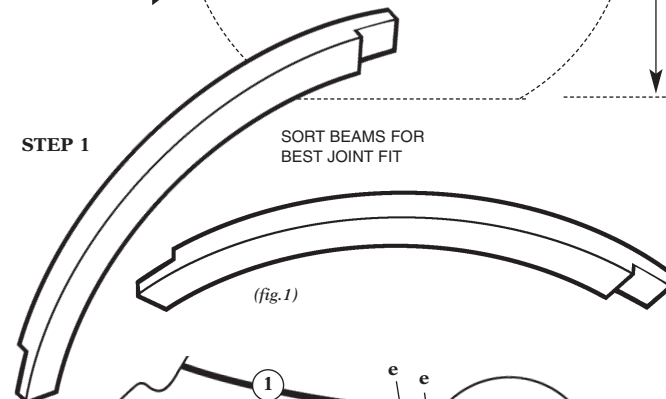
**STEP 4**

Assemble the second circle in the same way.

(continued overleaf)

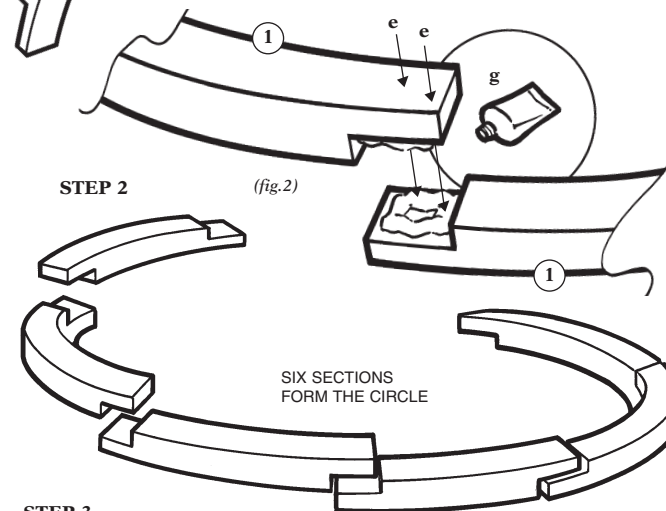
**STEP 1**

**SORT BEAMS FOR BEST JOINT FIT**



**STEP 2**

(fig.2)



**STEP 3**

(fig.3)

