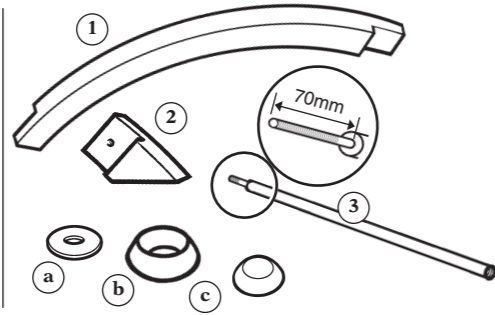


## ADDING AN EXTENSION TO YOUR FLOWER WALK PERGOLA

### EXTENSION HARDWARE PACK

- |                  |    |
|------------------|----|
| ① CURVED SECTION | 6  |
| ② FOOT           | 2  |
| ③ METAL RODS     | 7  |
| a WASHERS        | 14 |
| b PLASTIC CUP    | 7  |
| c CAPS           | 7  |



#### STEP 22

Glue and screw the curved beams as steps 2-4.

#### STEP 23

Fix the feet to the curved beam assembly as steps 4-6.

ALLOW THE GLUE TO SET OVERNIGHT.

#### STEP 24

Mark the positions for the anchors and fix in place.

#### STEP 25

Remove the Plastic Caps (c) from the ends of the assembled Flower Walk that is to be extended.

**NB. replacement cups and caps are supplied.**

#### STEP 26

Remove the Plastic Cup, if fitted, and undo the M10 nut. Discard the old cups and caps.

#### STEP 27

Screw one of the metal rods from the extension pack into one of the positions just released. Ensure the metal washer is fitted.

#### STEP 28

Screw the remaining six metal rods into the existing structure.

#### STEP 29

Fit washers between the metal rods and the curved beam assembly.

#### STEP 30

Fit the curved beam assembly using the replacement cups and washers.

Fix in place using either the M10 bolt or M10 nut previously removed.

#### STEP 31

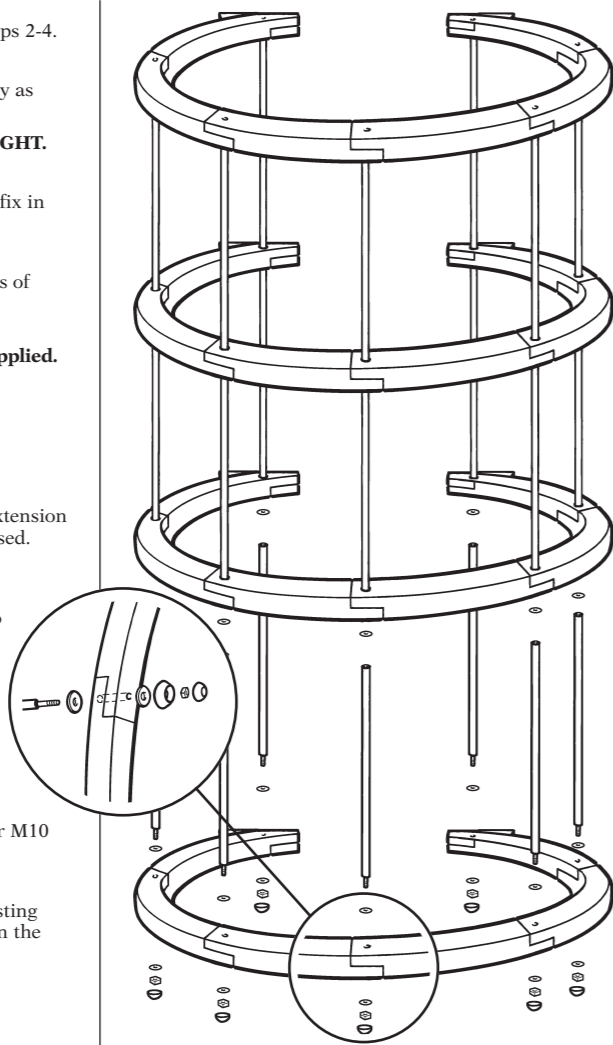
Now tighten the metal rods into the existing structure. Once they are all tight, tighten the M10 bolt or M10 nut.

#### STEP 32

Fix the feet to the anchors.

#### STEP 33

Finally, fit the caps to the plastic cups.



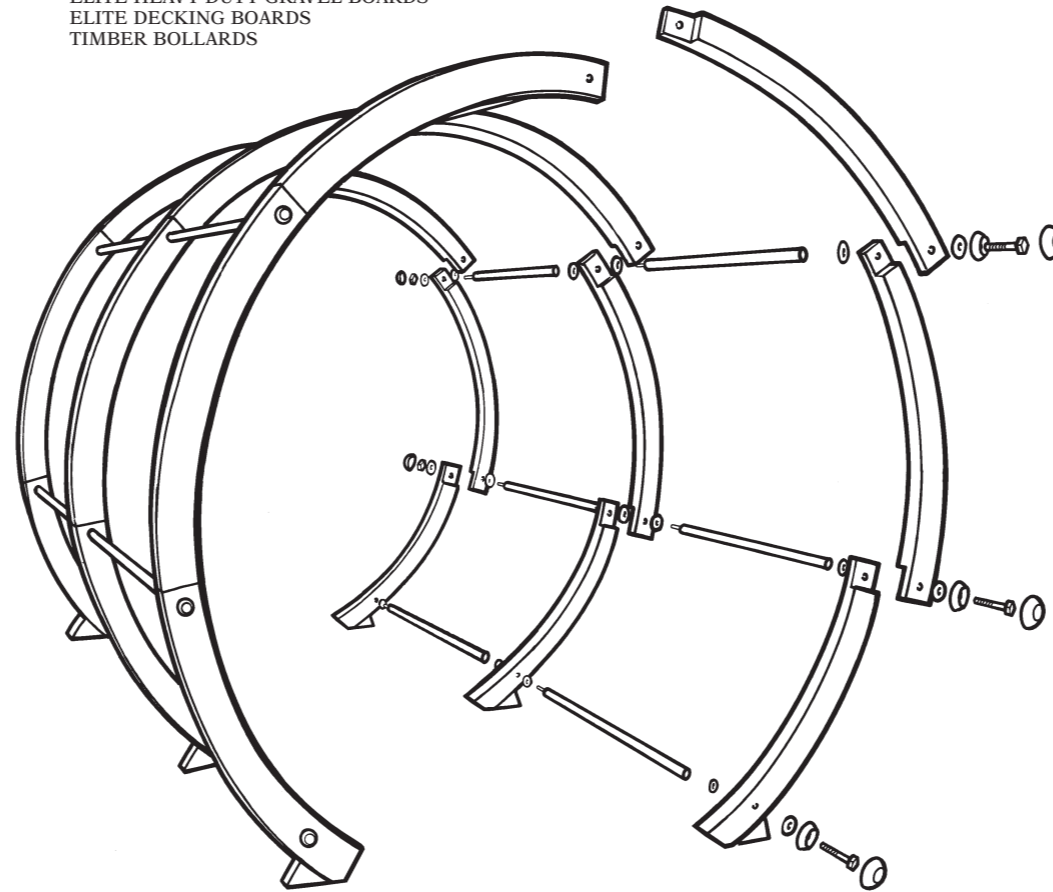
## THE EXTENSION AS PART OF THE INITIAL BUILD

Any number of extensions may be added to the basic pack. The extension pack provides all of the parts required to build a longer Flower Walk by following the main instruction procedure.

### TIP

An attractive addition to the Flower Walk is to fit border troughs along the sides. Grange offer the following products that may be used to construct the troughs:

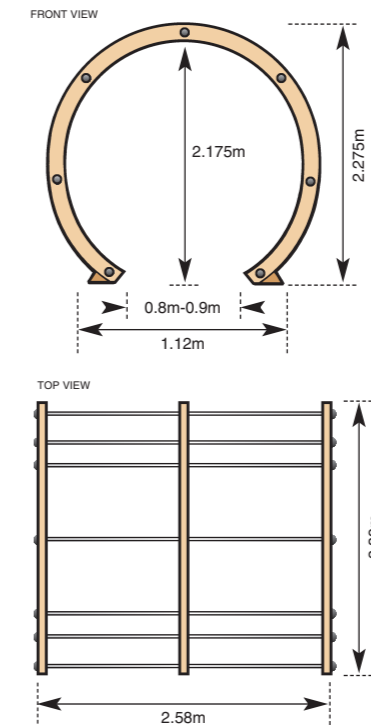
- ROUNDED GARDEN SLEEPERS
- ELITE HEAVY DUTY GRAVEL BOARDS
- ELITE DECKING BOARDS
- TIMBER BOLLARDS



# FLOWER WALK PERGOLA

## ASSEMBLY INSTRUCTIONS

### PLAN



ALL PRODUCTS ARE MEASURED TO THE HIGHEST AND WIDEST POINT AND ALL SIZES ARE APPROXIMATE



### AFTERCARE

To ensure longevity of your structure it is recommended that it is treated with a wood preservative on a yearly basis.



5 019063 601814 >

Grange Code: FLWCCL



**Grange**

GRANGE FENCING LIMITED  
Halesfield 21, Telford TF7 4PA  
Tel: 01952 588088 Fax: 01952 581522  
Email: sales@grangefen.co.uk Web: www.grangefen.co.uk  
OUT OF HOURS MESSAGE SERVICE: 01952 588088

JULY 2011 - ISSUE 2

Thank you for choosing this garden structure from Grange Fencing Ltd.  
**PLEASE READ THE ASSEMBLY INSTRUCTIONS THOROUGHLY BEFORE ATTEMPTING TO ERECT THE STRUCTURE**  
 ESTIMATED BUILD TIME - 6 HOURS (OVER TWO DAYS)

**TOOLS REQUIRED** (Not Supplied)

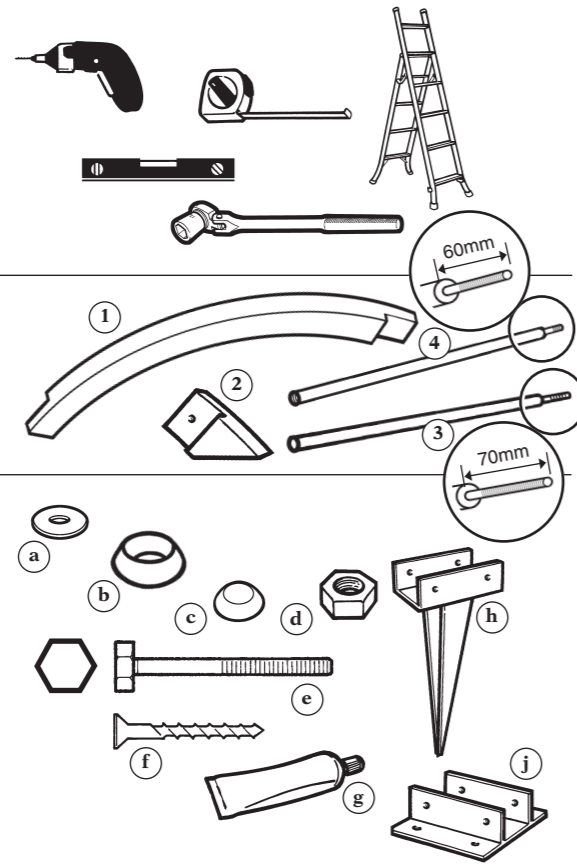
- POWER DRILL (+ crosshead screwdriver bit)
- SPIRIT LEVEL
- TAPE MEASURE
- STEPLADDER
- 17mm BI-HEX SOCKET + HANDLE

**PARTS LIST**

- |   |                   |    |
|---|-------------------|----|
| 1 | CURVED SECTION    | 18 |
| 2 | FOOT              | 6  |
| 3 | METAL RODS (70mm) | 7  |
| 4 | METAL RODS (60mm) | 7  |

**HARDWARE PACK**

- |   |                            |    |
|---|----------------------------|----|
| a | WASHER                     | 42 |
| b | PLASTIC CUP                | 14 |
| c | CAP                        | 14 |
| d | 10mm NUT                   | 7  |
| e | M10 x 70 HEX BOLT          | 7  |
| f | M4 x 40 SCREW              | 66 |
| g | WOOD GLUE                  | 1  |
| h | SOIL ANCHOR (optional)     | 6  |
| j | CONCRETE ANCHOR (optional) | 6  |



**BEFORE YOU START**

- Please ensure that you check all the component parts for quantity and quality before you commence building the product. Report any missing parts immediately. The manufacturer will not accept any responsibility for damaged items once any part of the product has been fitted or altered in any way.
- Timber is a natural material and will react to varying levels of moisture content - ie. will swell or shrink. All of the Timber components are pressure treated green. However, should extra protection be required, they should be treated using a wood preservative treatment, following the maintenance instructions.

**HEALTH AND SAFETY**

Do not overstretch when working from the step ladder. In order to reduce the risk of suffocation please keep all plastic bags and small parts away from children.

- When you are ready to start, make sure you have the right tools to hand, plenty of space and a clean, dry area for assembly. **It is advisable for two people to carry out the work.**

**PREPARATION**

Make sure the area where the Flower Walk is to be positioned is clear and ready for building the structure.

**ASSEMBLY INSTRUCTIONS PART ONE**

To ensure a sound structure, it is recommended that the sections which form the Circle are assembled and glued then allowed to set for 24 hours before continuing.

**STEP 1**  
 Make sure you have a clean, flat dry area, big enough to assemble a circle. (see Pergola 'footprint' - right - for dimensions).

**Remember - the circle, once assembled will need to be left undisturbed for 24 hours.**

**STEP 2 ASSEMBLING THE CIRCLE**  
 Take two of the curved sections and apply glue to one of the joint faces. Fix the joint together and screw in place using two screws (f).

**STEP 3**  
 Continue from one end of the assembly with the next curved section repeating step 2.

**STEP 4**  
 Fix three more curved beams in the same manner.

**STEP 5**  
 Take one of the Feet (2) and fix to one end of the circle assembly (as fig.2).

**STEP 6**  
 Repeat the procedure for the other end of the circle assembly.

**STEP 7**  
 Repeat steps 2-6 for the two remaining circles.

**STEP 8**  
 Lay the circles on top of one another (as fig.3). Leave for 24 hours for the glue to set fully.

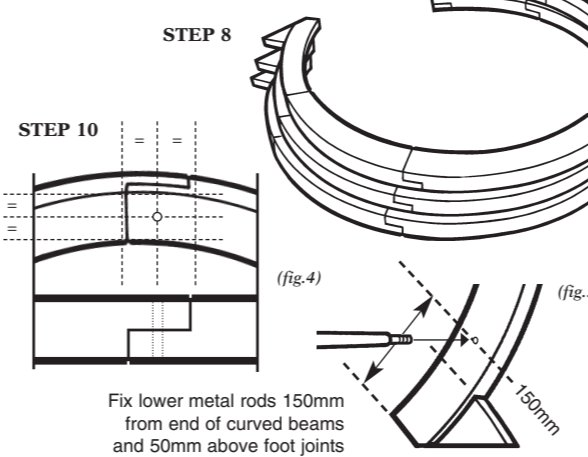
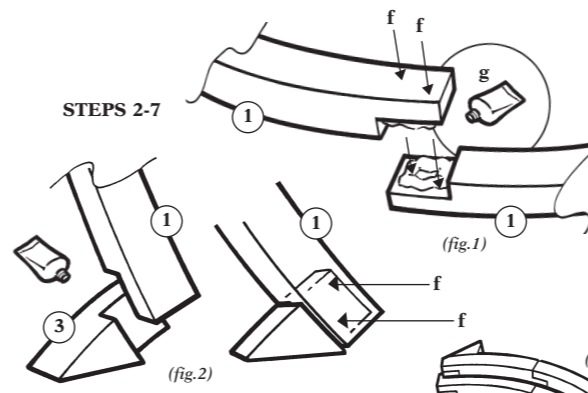
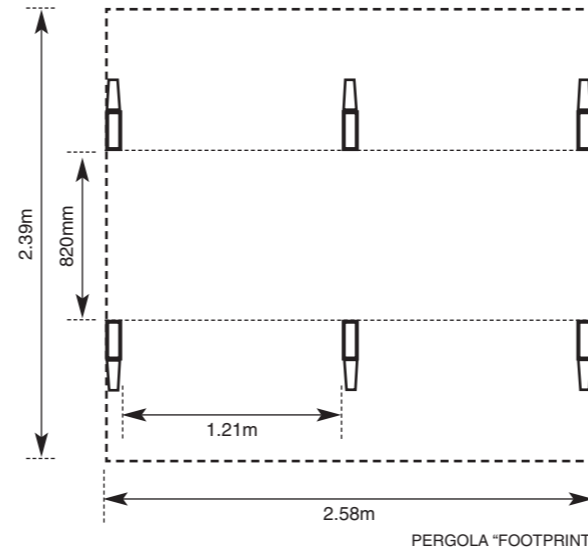
**ASSEMBLY INSTRUCTIONS PART TWO**

**STEP 9**  
 Mark the hole positions for where the metal rods will be fixed.

The position should be in the centre of the joints except for the two joints for the feet. These should be marked in the centre of the beam 150mm from the end.

**STEP 10**  
 Now, using the 12mm drill bit make a hole through all three circles at the marked points. This is to ensure correct alignment of the structure.

**STEP 11**  
 Place the assembled circles as close as possible to their final positions (see footprint at top of page).



**STEP 12**  
 Take one of the Metal Rods (3) with the 70mm thread and fix it to one of the end curved beam assemblies (as shown in fig.6).

Tighten bolt (e) using a 17mm socket.

**STEP 13**  
 Fit metal rods to the remaining six holes for the circle assembly as in step 12.

**STEP 14**  
 Fit Washers (a) to the threaded ends of the metal rods.

**STEP 15**  
 Fit the next circle assembly over the protruding threads.

**STEP 16**  
 Fit a Washer (a) and a metal rod (4) with the 60mm thread to each of the threads protruding through the circle assembly. Tighten the rods in place as tight as possible.

**TIP**  
 Keep working around the rods in turn to tighten them.

**STEP 17**  
 Fit washers to the metal rod threads and then fit the remaining circle assembly.

**STEP 18**  
 Fit washers to the protruding threads before fitting a Plastic Cup (b) and M10 nut (d).

Tighten the nuts using a socket as before as tightly as possible.

**STEP 19**  
 Using the dimensions of the completed structure, mark the positions for the anchors (h or j).

**STEP 20**  
 Fix the anchors into position then lift the structure into place in the anchors.

Ensure the structure is aligned correctly.

Using screws (f) fix the structure into the anchors.

**STEP 21**  
 Once the structure is fixed in its final position and securely fastened down, fit the caps (c) to the plastic cups.

**NB. Once the caps are fitted they cannot easily be removed without incurring damage.**

**FOR DETAIL OF ADDING AN EXTENSION TO THE EXISTING FLOWER WALK SEE OVERLEAF.**

