

CARRARA ARBOUR

ASSEMBLY INSTRUCTIONS



A	SIDE SECTIONS		2
B	SEAT BACK		1
C	SEAT		1
D	BACK TRELLIS		1
E	ROOF SECTIONS		2
F	ROOF FASCIA		4
G	FINIAL		2
H	ROOF COVER STRIP		1
J	STRUT		2
S	Screw 3. 5 x 30 mm		4
T	Screw 3. 5 x 35 mm		8
U	Screw 3. 5 x 50 mm		8
V	Screw 3. 5 x 70 mm		8
W	Screw 4 x 60 mm		10
X	Screw 4 x 90 mm		2
Y	Screw 4 x 120 mm		4
Z	Nails		4

CARE OF YOUR ARBOUR

The Carrara Arbour is made of planed pressure treated and FSC certified timber and as such is guaranteed against rot for a minimum of 15 years. However, it must be remembered that as a natural product, timber is subject to movement and weathering as it seasons. It is not uncommon for small spits to occur when drying and warping when timber is allowed to dry too rapidly. These will normally go back when humidity rises, it is nature at work and not considered a fault.

Its colour will also change with time, a re-treatment, as required with a proprietary wood treatment is recommended.

Tools required (NOT SUPPLIED)

Power screwdriver with Pozidrive No.2 bit. Tape measure.
3mm pilot drill
Hammer.

Before you start.

Check the packs and make sure that you have all of the parts listed above. If not contact your retailer who will be able to help you.
When you are ready to start make sure you have the right tools to hand, plenty of space and a clean dry area for assembly.
It is advisable for two people to carry out the work.

ASSEMBLY.

- 1 First of all assemble the seat as Fig 1, using two screws **S** each side.
- 2 Lay one of the side sections **A** flat on the ground.
- 3 Position the seat as shown in Fig 2 and fix it to the side section using screws **W**.
- 4 Take the other side section **A** and fix it to the other end of the seat using screws **W**, making sure the seat height is the same both sides.
- 5 You may now stand the assembly up carefully.

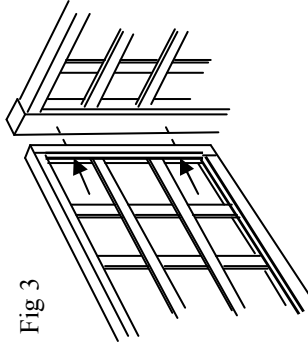
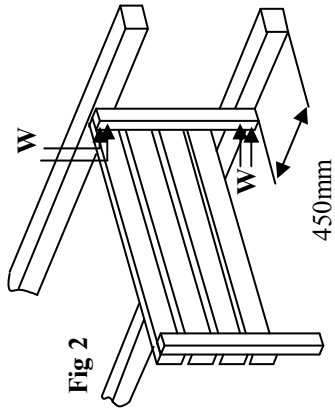
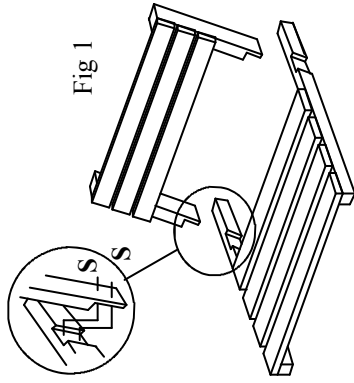


Fig 3

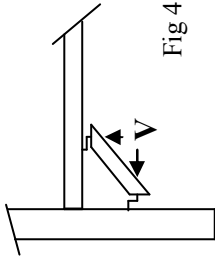


Fig 4

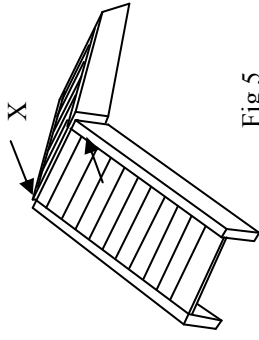


Fig 5

10. There are fascia boards for the front and rear of the arbour. The straight edge should be fixed flush with the lower edge of the roof sections. Fix these in place using screws **T** as shown in Fig. 7.
11. Fit the finials front and back using screws **U** as Fig 7.
12. Finally, locate the roof cover strip **H** and nail in place with the nails **Z** provided.

The back trellis should now be fitted. Use two screws **V** either side to fix to the side section posts as Fig 3. Now fix the struts between the bottom of the seat and the post at the front of the seat as Fig 4. Take the roof sections **E** and fasten them together at the apex using screws **X** as shown in Fig 5. Raise the roof onto the seat assembly and fix through into the top of the posts as shown in Fig 6.

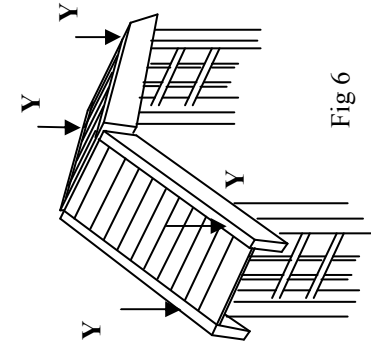


Fig 6

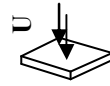


Fig 7