

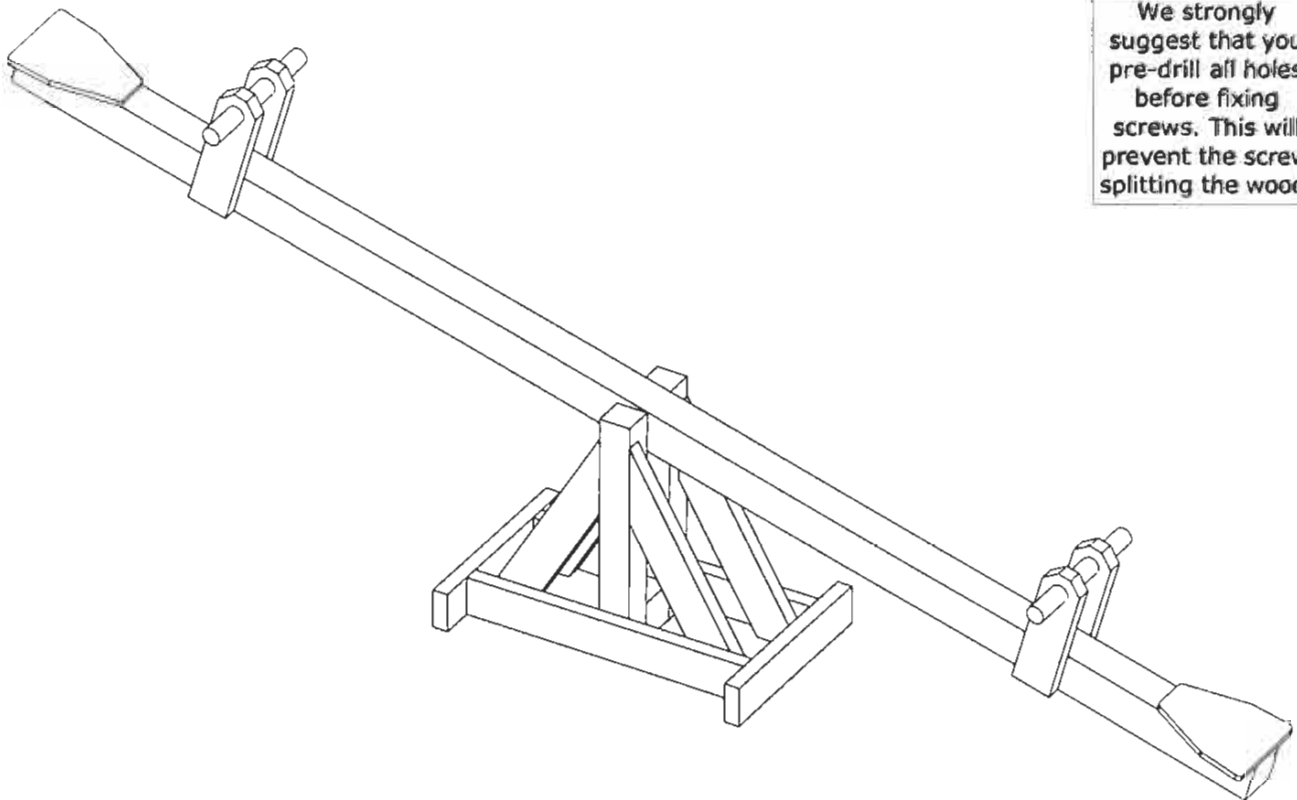
Technical Information

Number of people needed for assembly: 2, to include a good handyman

Guide time for assembly: 1-2 hours

Tools required: Drill
Screwdriver or electric screwdriver
Sandpaper or electric sander

We strongly suggest that you pre-drill all holes before fixing screws. This will prevent the screw splitting the wood.



NOTE

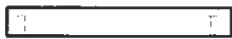
Assembly should be done on the day the shipment arrives. If this is not possible the boxes should be stored in a cool and slightly humid environment. Slight cracks may appear in the wooden posts at any time after delivery. This is due to the natural continued working of the wood and occurs in hot dry weather conditions. In damp weather the cracks partly disappear. N.B. Cracking will not affect the structural stability. The surfaces of the wood have been planed but splinters may still remain. Use sandpaper or a sander to make the surfaces smooth.

A) 1X 90x90/300cm



B) 1X 90x90/7cm

C) 1X 70x70/55cm



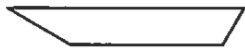
D) 1X 70x70/55cm



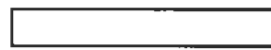
E) 1X $\varnothing 2/19$ cm



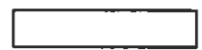
F) 4X 34x90/55cm



G) 2X 34x90/65cm



H) 2X 34x90/45cm



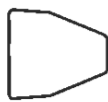
I) 4X 34x90/30cm



J) 2X $\varnothing 4/35$ cm



K) 2X 22x24cm



Hardware List



1) 1X 10x220mm



2) 1X M10



3) 1X M10



4) 18X 5x60mm



5) 20X 5x80mm

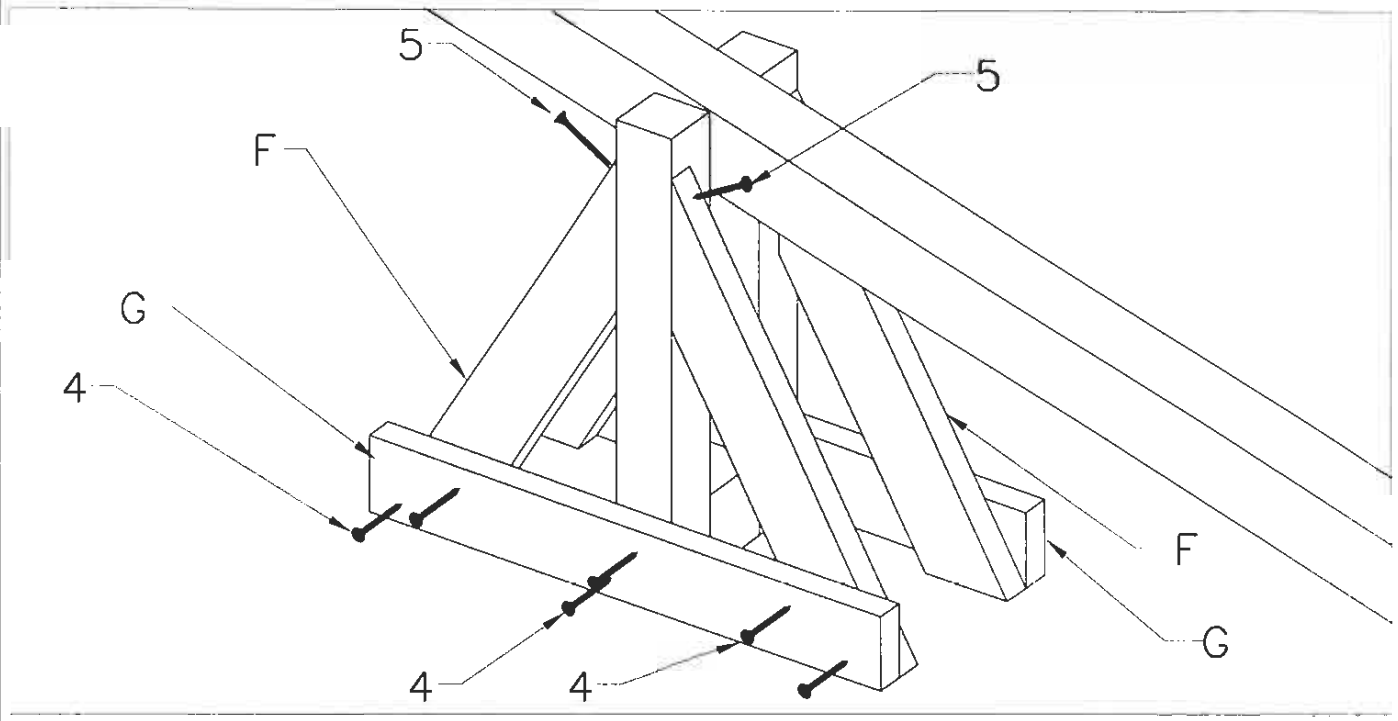
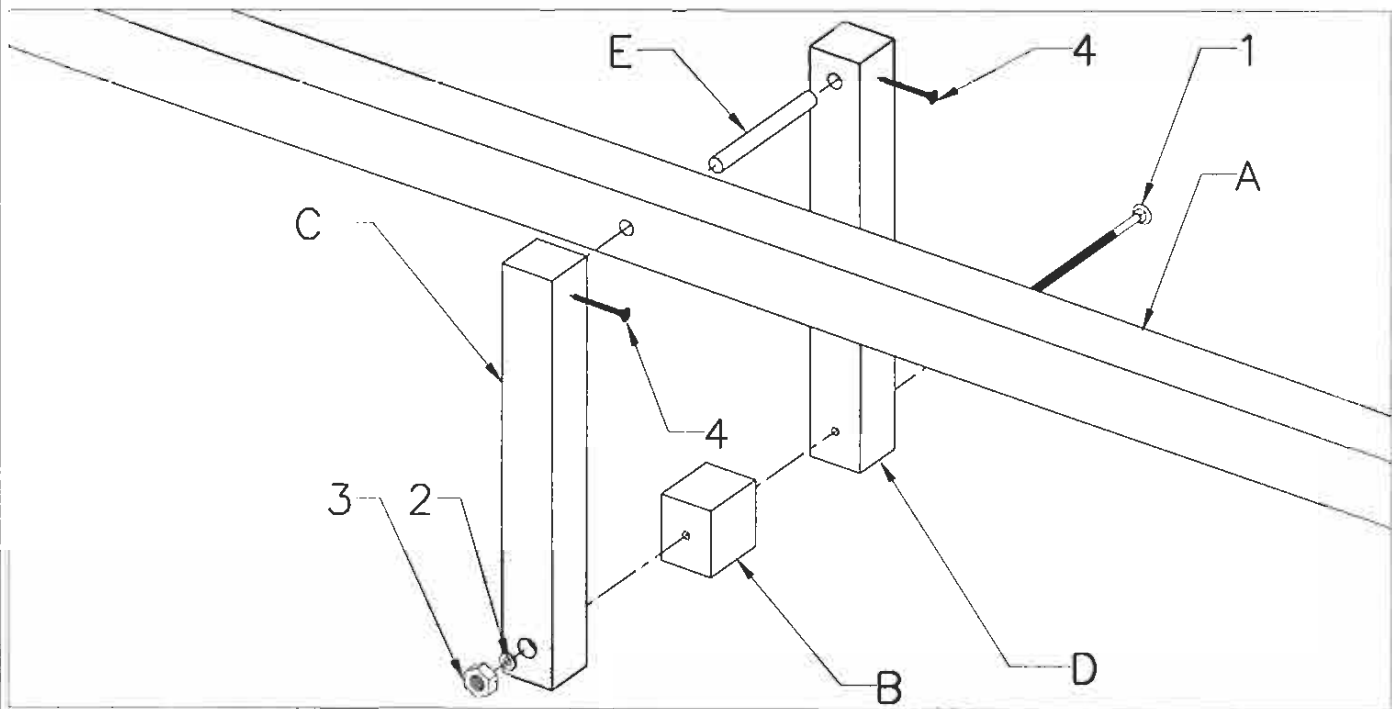


6) 4X 4,5x50mm



7) 1X

Note: Before fixing screws, first drill using the bit provided to avoid splintering the wood.



Note: Before fixing screws, first drill using the bit provided to avoid splintering the wood.

