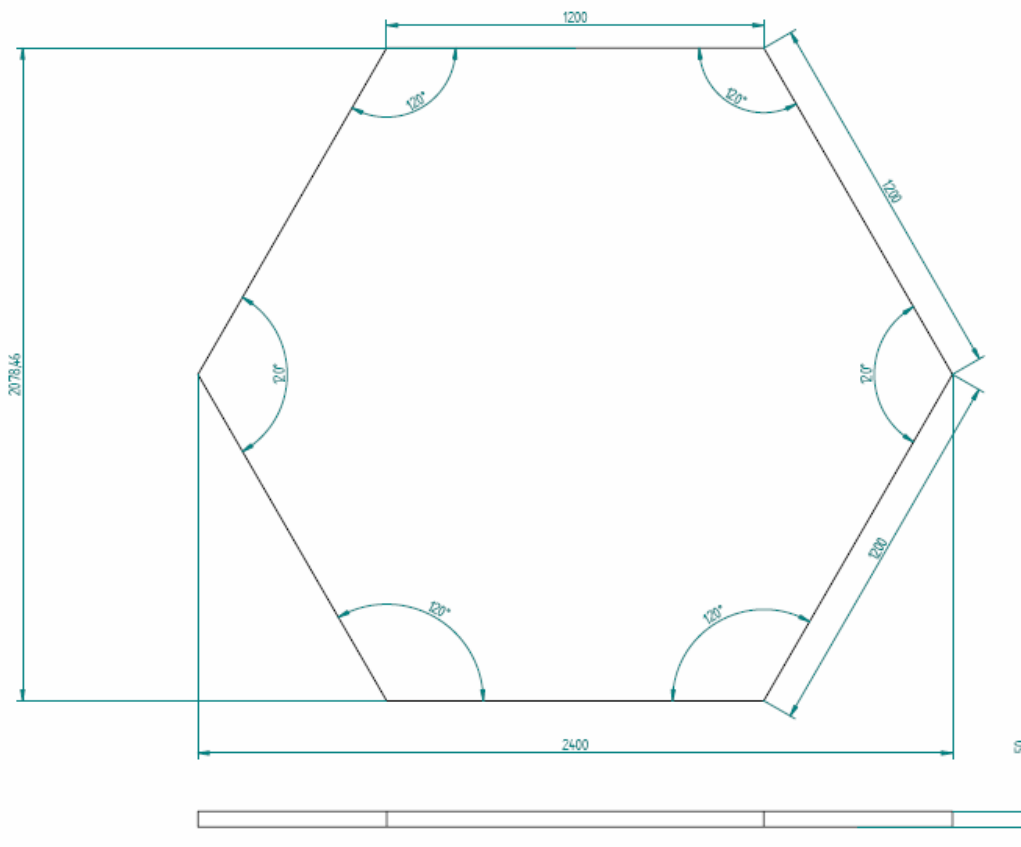


Sub base requirements for the:
Forest Glass House FGH, FGHF
standard sized Marlow Summerhouse MSMW2, MSMW4
Standard sized Arden Gazebo AGM
Standard Sized Burford Gazebo BGM

50mm concrete sub-base is required for these buildings, which must be level and firm.

All measurements shown are in mm



50mm sub base